

Correct as at 26th April 2026. It may be superseded at any time.

Extract taken from: In-service certification (WoF and CoF) > Tractors > Vehicle exterior > Dimensions

2-2 Dimensions

The vehicle inspector only need inspect dimensions if there is doubt about the vehicle's compliance.

Reasons for rejection

Mandatory equipment

1. A vehicle that exceeds the dimension requirements set out in Table 2-2-1 is not fitted with the appropriate hazard warning equipment set out in Table 2-2-2.
2. A required revolving amber beacon cannot be activated and deactivated.

Note 1 Definitions

The **rear axis of a vehicle** means:

- if the vehicle is fitted with only one non-steering axle: the centre of that axle
- if the rear axle set includes a steering axle: midway between the extreme non-steering axles of the set.

Wheelbase means the distance from the rear axis to the front axis (centre of the foremost axle)

Note 2

Agricultural motor vehicle:

- a) means a motor vehicle that is designed, constructed, or adapted for agricultural purposes, and includes:
 - i) an agricultural trailer, and
 - ii) an agricultural tractor, but
- b) does not include any vehicle that is:
 - i) of a class specified in [section 3-2](#) of the Introduction, and
 - ii) designed or constructed for general road use.

Agricultural purpose includes:

- a) land cultivation
- b) growing and harvesting crops (including horticulture and viticulture)
- c) rearing livestock
- d) any land management operation undertaken in connection with the operation or management of a farm.

- Agricultural purpose **does not** include forestry, or any land management operation not referred to in (a) to (d) above.

Agricultural tractor means a vehicle that is designed and constructed principally for the purposes of:

- a) towing an agricultural trailer, or
- b) drawing, or powering, an implement ordinarily used for an agricultural purpose.

Note 3

Agricultural motor vehicles with excess front overhang (over 4m): Instead of fitting flags or panels, front parts of the vehicle or front attachments may be painted with high-visibility paint.

Table 2-2-1. Dimension requirements (see Figure 2-2-4)

Dimension	Maximum distance	Comments
Width	<p>2.55m</p> <p>1.275m from each side of the longitudinal centreline of the vehicle</p>	<p>Measurement does not include:</p> <ul style="list-style-type: none"> • collapsible mirrors which extend no more than 240mm from the side or 1.49m when measured from the vehicle's longitudinal centre line • direction indicators and side-marker lamps • cab exterior grab rails that extend no more than 1.325m when measured from a vehicle's longitudinal centre-line • the bulge towards the bottom of a tyre.
Overall length	<p>12.6m (no tow coupling fitted)</p> <p>11.5m (tow coupling fitted)</p>	<p>Measurement does not include collapsible mirrors.</p>
Height	<p>4.3m</p>	
Forward distance	<p>9.5m (no tow coupling fitted)</p> <p>8.5m (including tow coupling if fitted)</p>	<ul style="list-style-type: none"> • Forward distance is measured from the rear axis (Note 1) to the front of the vehicle. • Measurement does not include collapsible mirrors.
Rear overhang	<p>Vehicle GVM 3500kg or less: 4m</p> <p>Vehicle GVM greater than 3500 kg:</p> <ul style="list-style-type: none"> • with rearmost axle being a non-steering axle: 4m or 70% of wheelbase (whichever is less) • with rearmost axle being a steering axle: 4.25m or 75% of wheelbase (whichever is less) 	<p>Rear overhang is measured from the rear axis (Note 1) to the rear of the vehicle.</p>
Front overhang	<p>Rigid non-agricultural motor vehicle: 3m</p> <p>Rigid agricultural motor vehicle: 4m</p>	<p>Front overhang is measured from the front edge of the driver's seat in the rearmost position to the front of the vehicle.</p>

Dimension	Maximum distance	Comments
Ground clearance for vehicles with GVM greater than 3500kg.	Minimum is the greater of 100mm OR 6% of the distance from the nearest axle to the point where the ground clearance is measured.	Except when the vehicle is loading or unloading. Items excluded from ground clearance measurement are: <ul style="list-style-type: none">• flexible mudflaps• wheels and tyres• devices designed to discharge static electricity.

Table 2-2-2. Hazard warning equipment requirements for vehicles that exceed the dimensions in Table 2-2-1

Vehicle category	Dimension	Limits (up to and including)	Required hazard warning equipment
Category 1	Width/forward distance (see Figure 2-2-3)	2.55m /11.4m, or 3.1m/10.5m, or 3.7m/8.5m, or	Flags ¹ or panels ² fitted on each side at the front and rear as close as practicable to the outside edge (for agricultural motor vehicles with excess front overhang, see (Note 3)).
	Length	25m, or	
	Front overhang	7m, or	
	Rear overhang	7m	
Category 2 (not including category 1)	Width/forward distance (see Figure 2-2-3)	2.55m /13.3m, or 4.5m/8.5m, or	<ul style="list-style-type: none"> • Panels² fitted on each side at the front and rear as practicable to the outside edge (for agricultural motor vehicles with excess front overhang, see (Note 3)) • OVERSIZE sign³ fitted at the front and rear if more than 3.1m wide • Amber beacon fitted to the cab roof if more than 3.7m wide.
	Length	35m, or	
	Front overhang	10m, or	
	Rear overhang	10m	
Category 3 (not including category 2)	Width/forward distance (see Figure 2-2-3)	2.55m /20m 5m/20m 5m/8.5m	<ul style="list-style-type: none"> • Panels² fitted on each side at the front and rear as practicable to the outside edge (for agricultural vehicles motor with excess front overhang, see (Note 3)) • OVERSIZE sign³ fitted at the front and rear • Amber beacon fitted to the cab roof if more than 3.7m wide.
	Front overhang	10m, or	
	Rear overhang	10m	

Vehicle category	Dimension	Limits (up to and including)	Required hazard warning equipment
Category 4A (not including category 3)	Width/forward distance (see Figure 2-2-3)	11m/20m 11m/8.5m	<ul style="list-style-type: none"> • Panels² fitted on each side at the front and rear as practicable to the outside edge (for agricultural motor vehicles with excess front overhang, see (Note 3)) • OVERSIZE sign³ fitted at the front and rear • Amber beacon fitted to the cab roof if more than 3.7m wide.
	Front overhang	10m, or	
	Rear overhang	10m	
Category 4B	Exceeding any limit in Category 4A		<ol style="list-style-type: none"> 1. Panels² fitted on each side at the front and rear as close as practical to the outside edge 2. OVERSIZE sign³ fitted at the front and rear 3. Revolving amber beacon fitted so that it is visible to approaching traffic if the vehicle is more than 3.7m wide

* Additional operational requirements may apply, eg if operated at night.

¹ Flags:

- must be fluorescent yellow
- must be at least 400mm long x 300mm wide.

² Hazard warning panels:

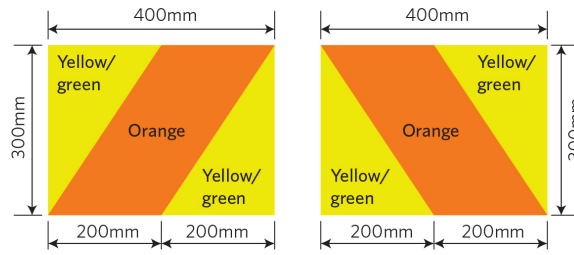
- must be reflective yellow green with a reflective orange diagonal stripe
- comply with AS/NZS 1906.1:2007
- be frangible for those portions which extend beyond the vehicle's limits (frangible means breakable or readily deformable)
- must be of at least the minimum dimensions and the colours specified in Figure 2-2-1
- instead of displaying a hazard warning panel an agricultural tractor with a width exceeding 2.55m but less than 3.1m may instead be fitted with and use an amber beacon when operated on the road.

³ OVERSIZE sign:

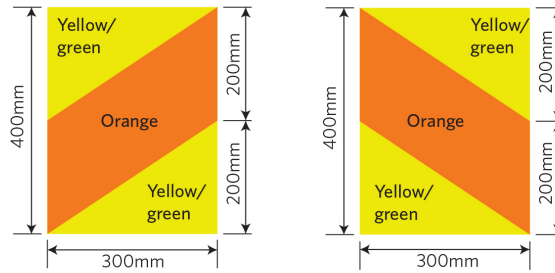
- must be black lettering on yellow-green background
- must be at least 300mm x 1100mm in size
- be frangible if any part of the sign extends beyond the body or load of the vehicle, whichever it is attached to (frangible means breakable or readily deformable)
- may be in two parts: OVER and SIZE.

Figure 2-2-1. Hazard panel details

Display these panels



or these panels



or these panels

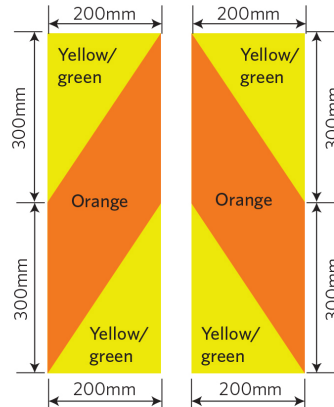


Figure 2-2-2. Hazard panel location and orientation

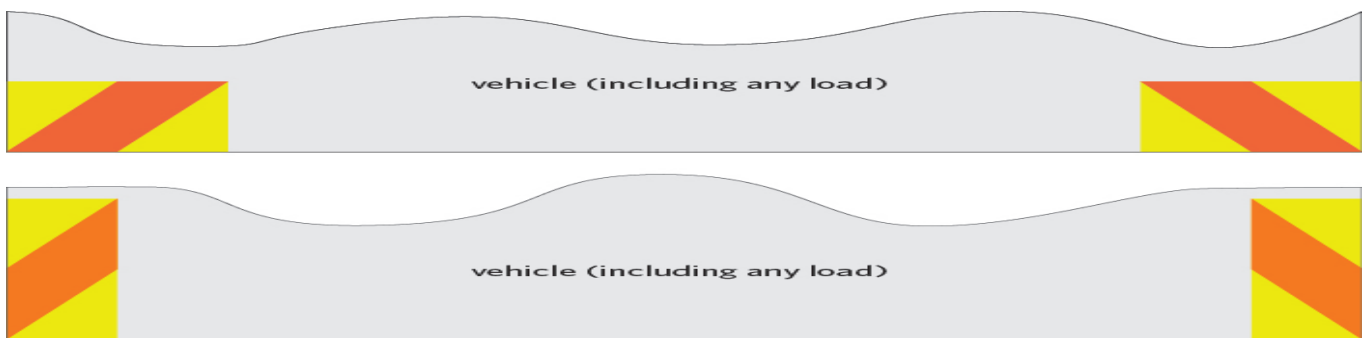
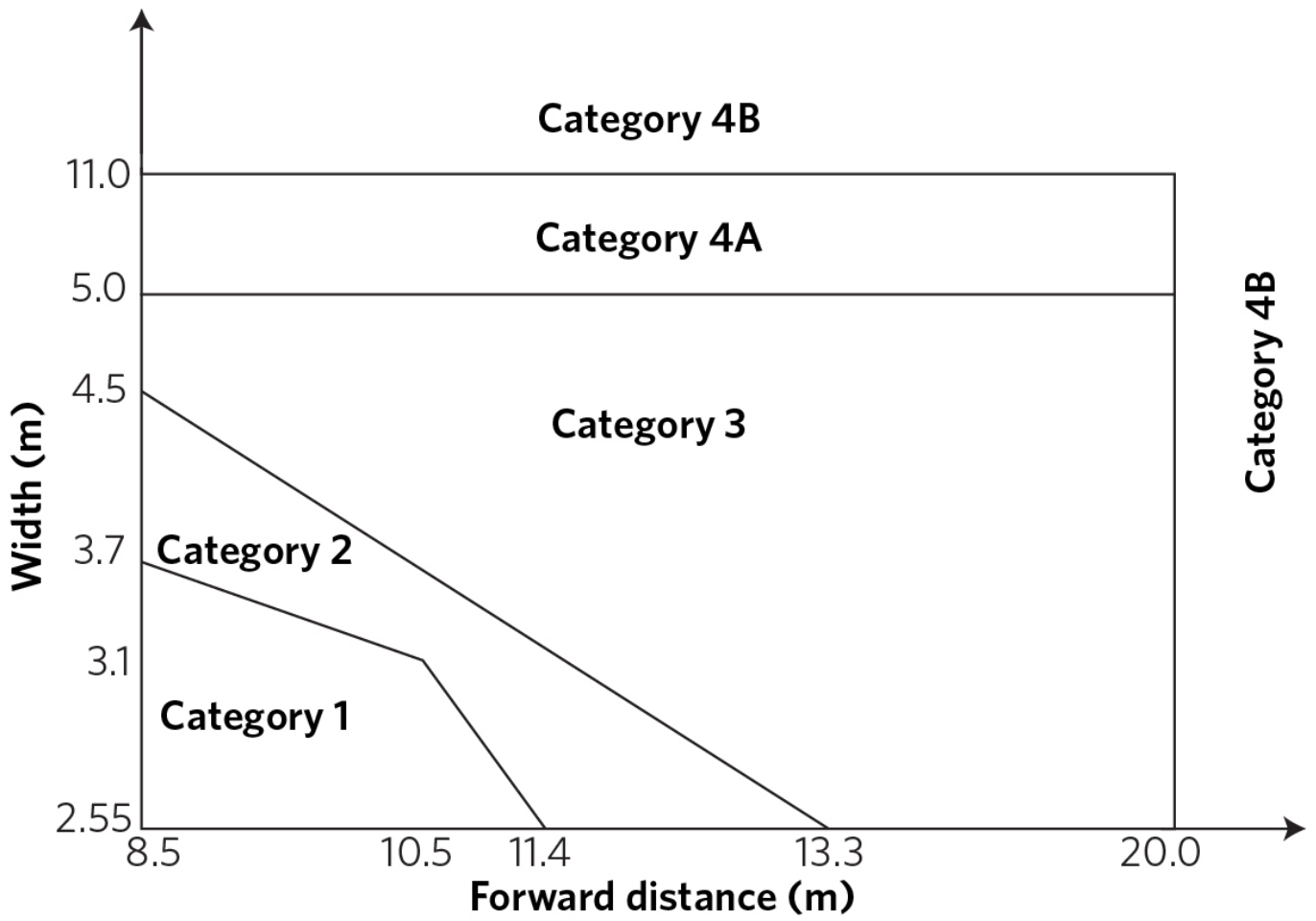


Figure 2-2-3. Vehicle categories and width/forward distance thresholds

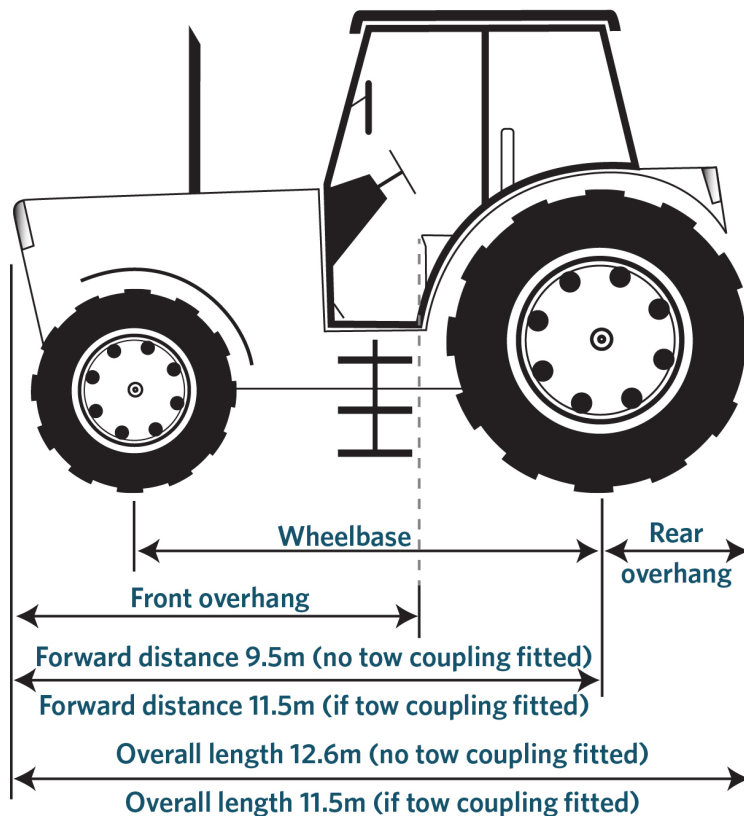
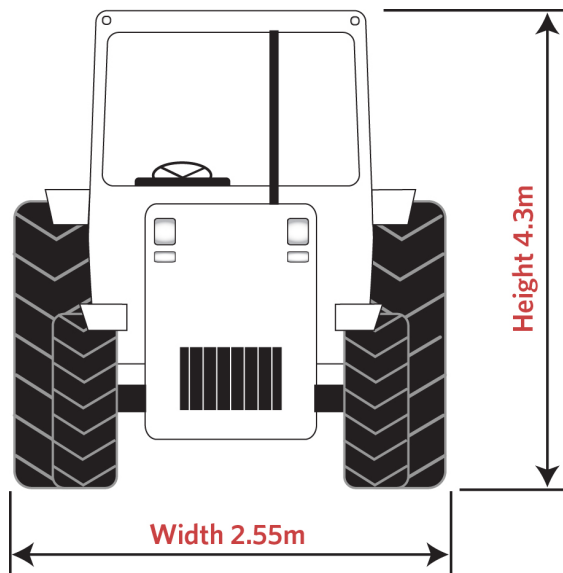
Use this figure to determine vehicle category in Table 2-2-2.



For the purposes of this figure, vehicles with a width less than 2.55m are deemed to have a width of 2.55m and vehicles with a forward distance of less than 8.5m are deemed to have a forward distance of 8.5m.

Figure 2-2-4. Dimension requirements

(Note: Dimensions in red updated in VDAM 2016)



Front overhang:

- Non-agricultural motor vehicle: 3.0m
- Agricultural motor vehicle: 4.0m

Rear overhang:

- For a heavy rigid vehicle with rearmost axle non-steering - the lesser of 4m or 70% of wheelbase
- For a heavy rigid vehicle with rearmost axle steering - the lesser of 4.25m or 70% of wheelbase

Summary of legislation

Applicable legislation

- [Land Transport Rule: Vehicle Dimensions and Mass 2016](#)

Mandatory equipment

1. A vehicle that exceeds the dimensions in Table 2-2-1 must be fitted with the equipment set out in Table 2-2-2.

Page amended **1 June 2019** (see [amendment details](#)).