

Correct as at 25th April 2026. It may be superseded at any time.

Extract taken from: In-service certification (WoF and CoF) > Motorcycles > Vehicle Exterior > Dimensions

2-3 Dimensions

Note: The vehicle inspector need only inspect dimensions in detail if there is doubt about the vehicle's compliance.

Reasons for rejection

Mandatory requirement

1. A vehicle does not meet the dimension requirements set out in Table 2-3-1 (see also Figure 2-3-1, Figure 2-3-2, and Figure 2-3-3).

Table 2-3-1. Dimension requirements

(see also Figure 2-3-1, Figure 2-3-2, and Figure 2-3-3)

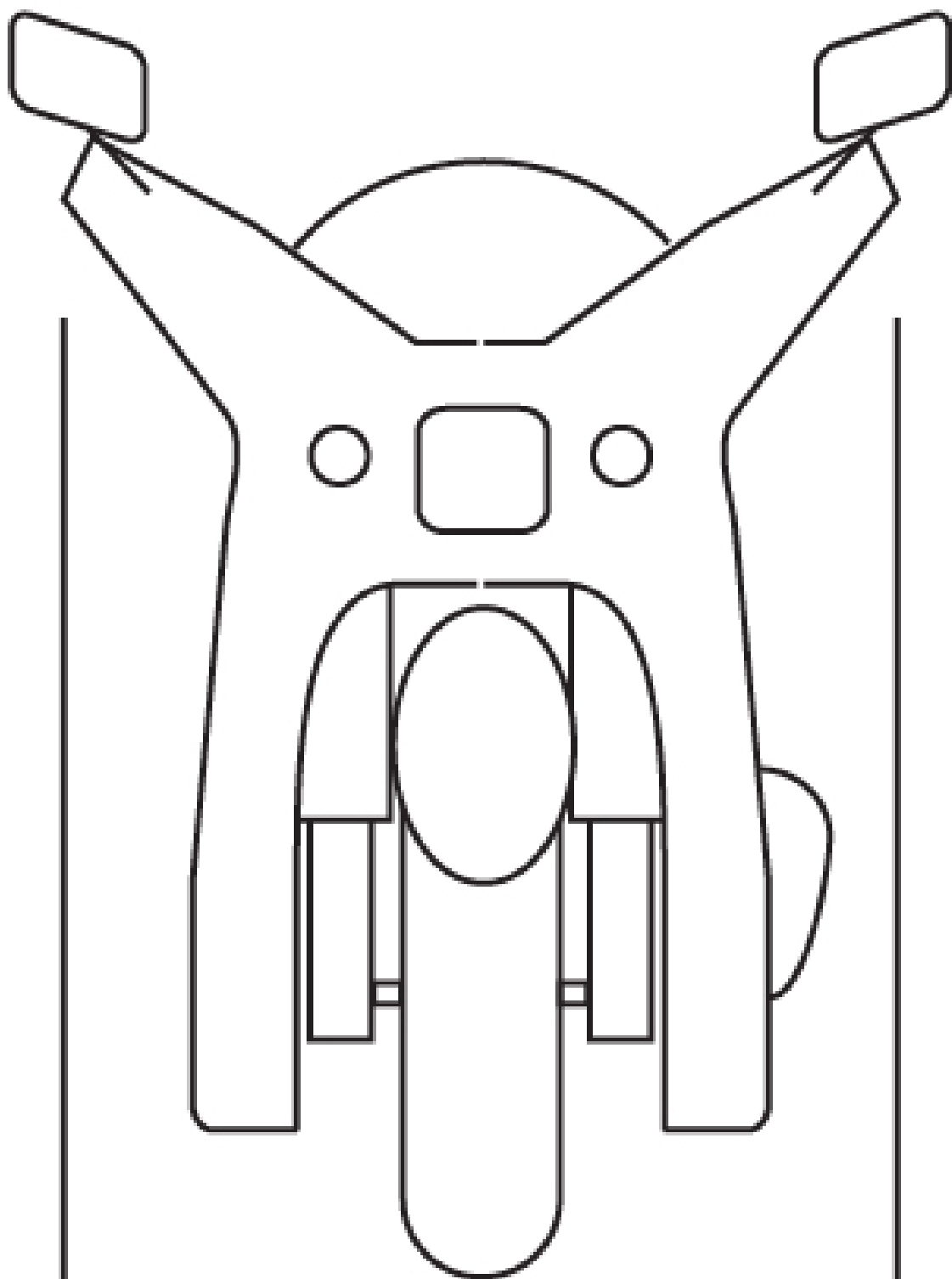
Dimension	Maximum distance	Comments
Width	<p>1.1m (motorcycle without sidecar)</p> <p>2.55m (motorcycle with sidecar or motor tricycle)</p>	<p>Measurement does not include:</p> <ul style="list-style-type: none"> collapsible mirrors which extend no more than 240mm from the side or 1.49m when measured from the vehicle's longitudinal centre line direction indicators and side-marker lamps the bulge towards the bottom of a tyre.
Overall length	<p>12.6m (no tow coupling fitted)</p> <p>11.5m (tow coupling fitted)</p>	Measurement does not include collapsible mirrors.
Height	4.3m	
Forward distance	<p>9.5m (no tow coupling fitted)</p> <p>8.5m (tow coupling fitted)</p>	<p>Forward distance is measured from the centre of the rear axle to the front of the vehicle.</p> <p>Measurement does not include collapsible mirrors.</p>
Rear overhang	4m	Rear overhang is measured from the centre of the rear axle to the rear of the vehicle.
Front overhang	3m	Front overhang is measured from the front edge of the driver's seat to the front of the vehicle.

Table 2-3-2. Modifications that do not require LVV certification

Fitting of or modification to:	LVV certification is never required:
Any modification for the purposes of law enforcement or the provision of emergency services	<ul style="list-style-type: none"> in-service requirements for condition and performance must be met.

Figure 2-3-1. Maximum width for a motorcycle

(Note: Dimensions in red updated in VDAM 2016)



1.1m

Figure 2-3-2. Maximum width for a motorcycle with sidecar or a motor tricycle

(Note: Dimensions in red updated in VDAM 2016)

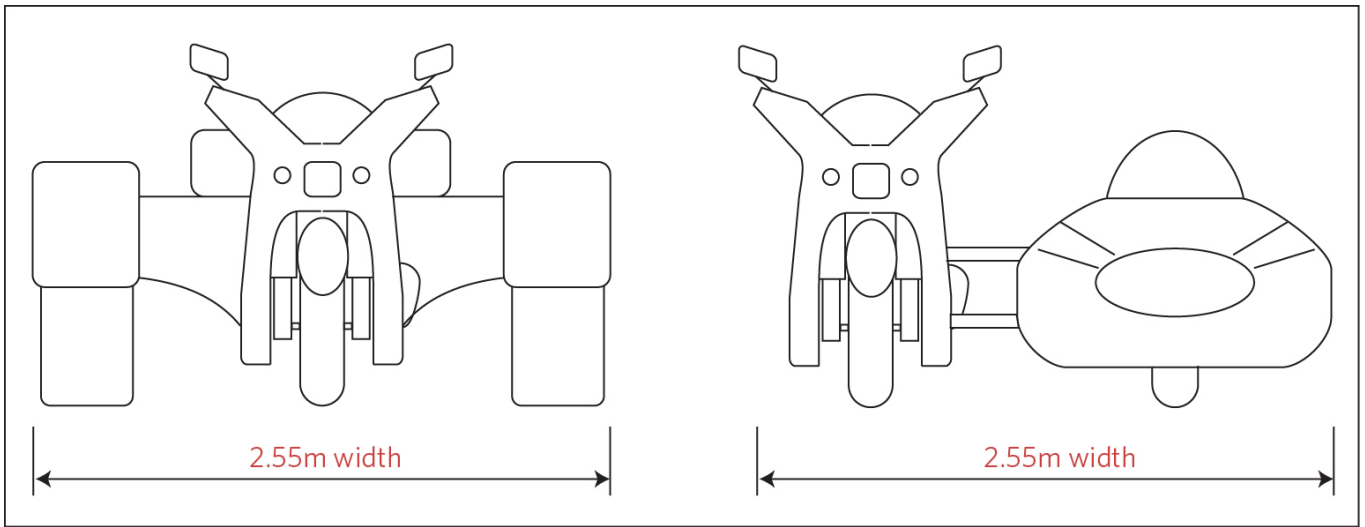
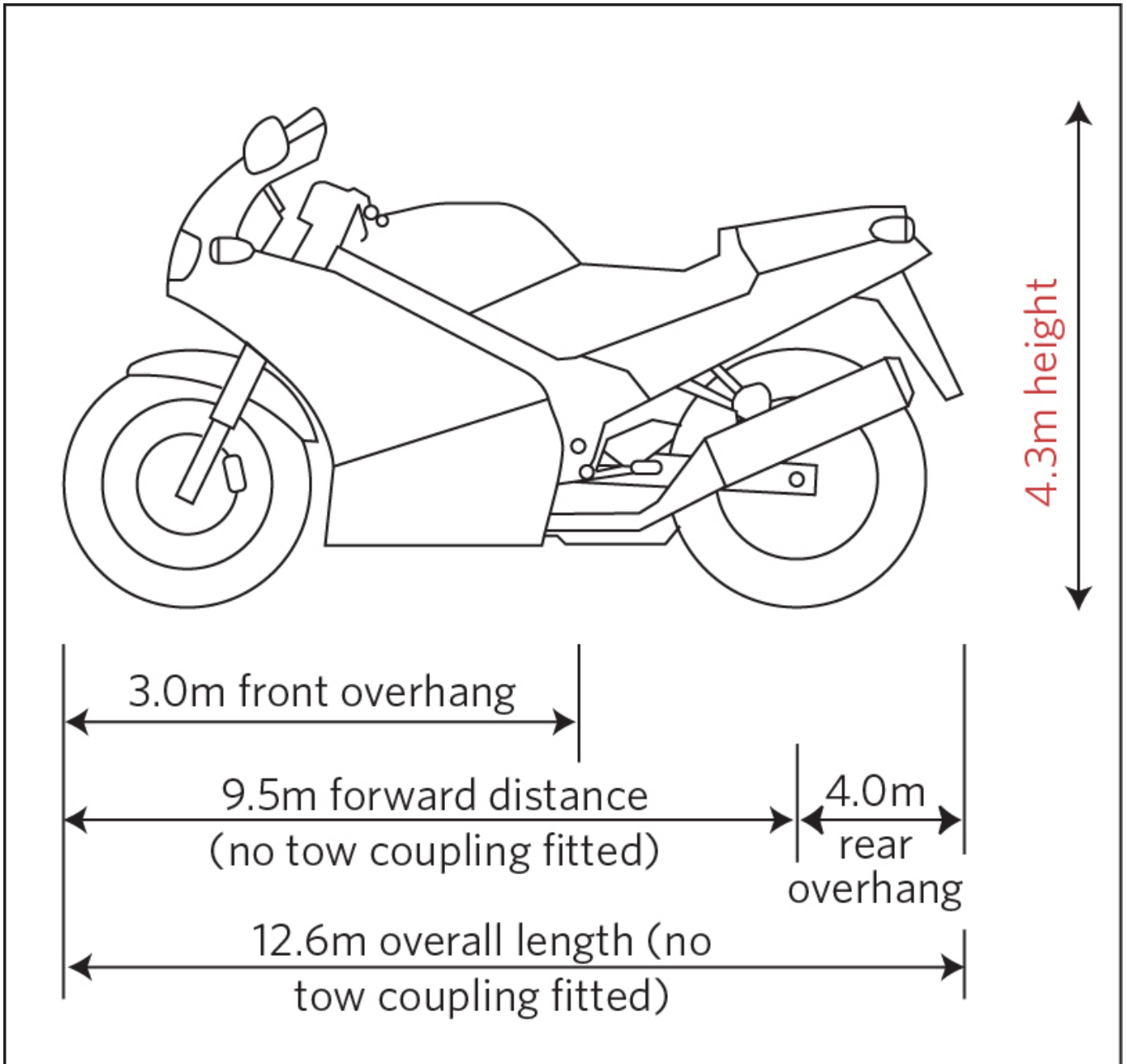


Figure 2-3-3. Other dimensions for a motorcycle, motorcycle with sidecar, or motor tricycle

(Note: Dimensions in red updated in VDAM 2016)



Summary of legislation

Applicable legislation

- [Land Transport Rule: Vehicle Dimensions and Mass 2016](#).

Mandatory requirement

1. A vehicle must meet the dimensions in Table 2-3-1.