

Correct as at 17th May 2026. It may be superseded at any time.

Extract taken from: In-service certification (WoF and CoF) > General vehicles > Lighting > Other lighting

4-15 Other lighting

Reasons for rejection

Permitted equipment

1. A cosmetic lamp (ie one not listed in Table 4-15-1) that is fitted to a vehicle:

- a) has a part of its light-emitting surface positioned within 250mm of any mandatory lamp, or
- b) is not mounted in a fixed position, or
- c) is positioned so that its light-emitting surface is visible within the shaded areas in Figure 4-15-1.

2. A work lamp that is fitted to a vehicle is wired in such a way that the switch or circuit for any mandatory or optional lamp controls it.

Performance

3. When switched on, a cosmetic lamp with a light-emitting surface not visible within the shaded areas in Figure 4-15-1 emits a light that:

- a) is not diffuse, or
- b) flashes or otherwise varies in intensity or colour, or
- c) revolves, rotates or otherwise moves, or
- d) is too bright and likely to dazzle other road users, or
- e) is likely to cause confusion about the orientation of the vehicle, or
- f) is red when seen directly from the front, or
- g) is not red or amber when seen directly from the rear.

4. A forward-facing reflector on a vehicle reflects white light shining on it as anything other than white or amber light.

5. A side-facing reflector on a vehicle reflects white light shining on it as anything other than white or amber light.

Note 1

A rear or side cosmetic lamp that does not comply with requirements for condition or performance must be made to comply, or be disabled so that it does not emit a light.

Note 2 Definitions

Lamp means a device designed to emit light, and includes an array of separate light sources that appear as a continuous illuminated surface.

Work lamp means a high-intensity lamp that is not necessary for the operation of the vehicle but is designed to illuminate the area or scene and include scene lamps, spot lamps and alley lamps.

Scene lamp means a work lamp designed to provide a fixed or movable beam of light to illuminate the area around the vehicle or the vehicle itself.

Alley lamp means a work lamp designed primarily to provide a fixed or movable beam of light to the side of the vehicle it is fitted to.

Reflective material (or **retroreflective material**) means any material that is designed to reflect incident light back towards a light source or in a specific direction; but does not include a reflector.

Cosmetic lamp means any lamp that is not listed in Table 4-15-1.

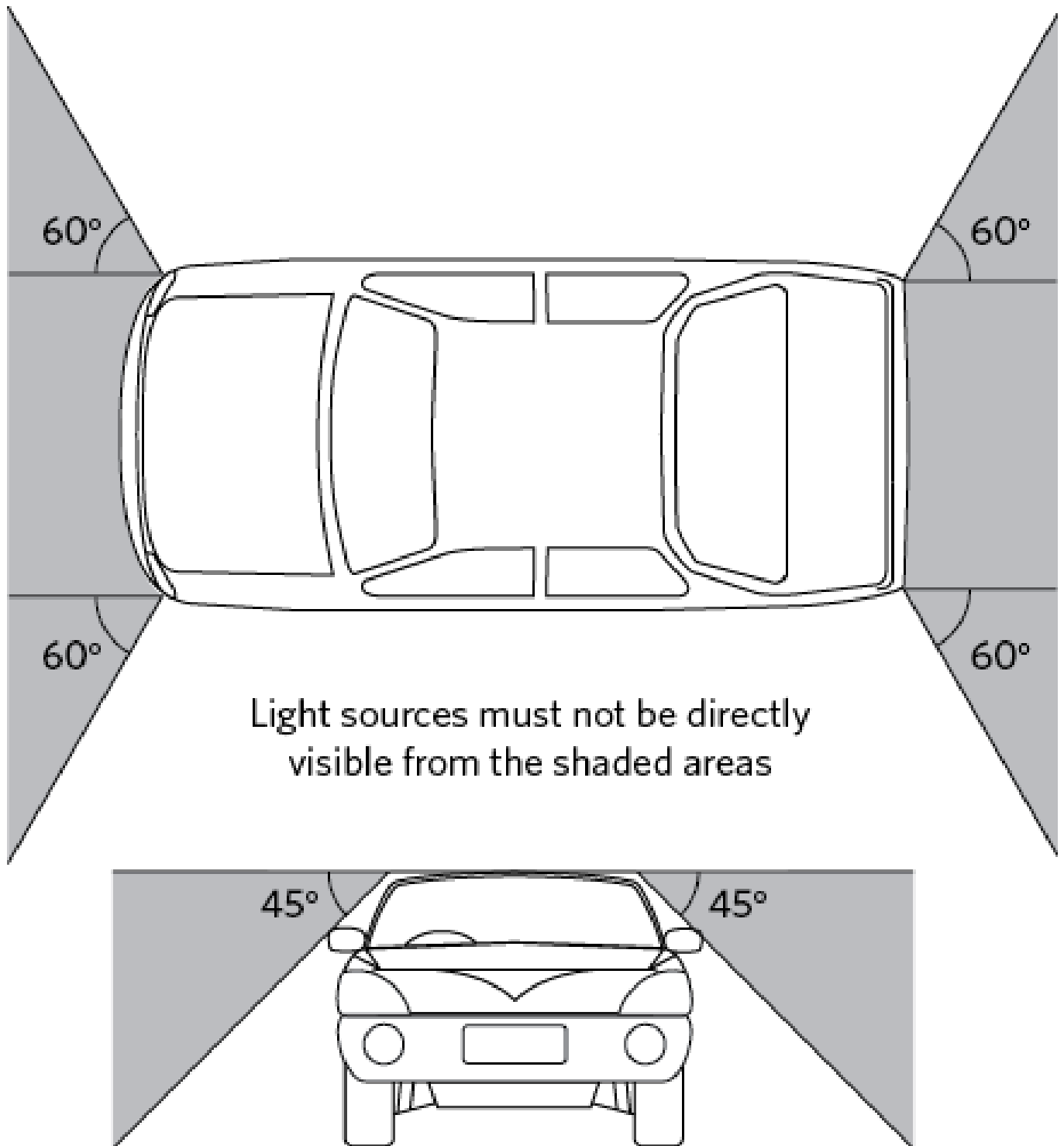
Note 3

A forward-facing cosmetic lamp that does not comply with the equipment, condition and performance requirements must be made to comply or be removed from the vehicle.

Table 4-15-1. Lamps that are not cosmetic lamps

Lamps covered in the VIRM	Other lighting equipment not requiring inspection
Headlamps Stop lamps High-mounted stop lamps Direction indicator lamps Position lamps (includes side-marker lamps and end-outline marker lamps) Rear-registration-plate illumination lamps Rear reflectors Fog lamps Daytime running lamps Cornering lamps Reversing lamps PSV interior lamps Work lamps	Interior lamps <i>Designed to illuminate the interior of the vehicle for the convenience of passengers</i> Flashing or revolving beacons Illuminated vehicle-mounted signs <i>Includes PSV destination signs, taxi signs and variable message signs operated by enforcement officers, under a traffic management plan or permitted by other legislation</i> A light source that is a necessary part of equipment required or permitted by any enactment to be fitted to a vehicle <i>Includes LEDs that indicate status on eRUC labels</i>

Figure 4-15-1. Visibility angles for cosmetic lamps



Summary of legislation

Applicable legislation

- [Land Transport Rule: Vehicle Lighting 2004.](#)

Permitted equipment

1. A vehicle may be fitted with one or more lamps not specified in Table 4-15-1, provided they are fitted so that light sources are not visible in those regions specified in Figure 4-15-1.
2. A **cosmetic** lamp must be fitted in a fixed position on the vehicle and positioned so that no part of the light source is situated within 250mm of a mandatory lamp.
3. A work lamp fitted to a vehicle must be wired in such a way that the switch or circuit for any mandatory lamp does not control it.
4. A vehicle may be fitted with reflective material to improve the visibility of the vehicle to other drivers and other road users, but the material must not dazzle, confuse or otherwise endanger their safety.

Performance

5. A **cosmetic** lamp must:
 - a) only emit light that is diffuse, and
 - b) not emit light that flashes or otherwise varies in intensity or colour, and
 - c) be fitted in a way, and be of a luminance that ensures, that it does not dazzle, confuse or distract other road users, and
 - d) not emit a light that revolves, rotates or otherwise moves, and
 - e) not cause confusion as to the orientation of the vehicle, and
 - f) not emit a red light that is directly visible from the front of the vehicle, and
 - g) not emit a light other than red or amber if the light is directly visible from the rear of the vehicle.
6. A forward-facing reflector on a vehicle must reflect white light shining on it as white or amber light.
7. A side-facing reflector on a vehicle must reflect white light shining on it as white or amber light.