

Correct as at 21st May 2026. It may be superseded at any time.

Extract taken from: In-service certification (WoF and CoF) > Light PSVs > Lighting > Forward-facing position lamps

4-6 Forward-facing position lamps

Reasons for rejection

Mandatory and permitted equipment

1. One pair of lamps is not fitted to:
 - a) a vehicle first registered in New Zealand on or after 1 January 1978 that exceeds 1.5m in width, or
 - b) a vehicle that exceeds 2m in width.
2. A vehicle is fitted with more than:
 - a) one pair of lamps, or
 - b) two single lamps.
3. A vehicle (eg a vintage or veteran vehicle) does not meet standard forward-facing position lamp requirements, and:
 - a) does not have a valid vehicle identity card with a lighting equipment endorsement, or
 - b) does not meet the conditions of the lighting equipment endorsement in its vehicle identity card.
4. A retrofitted lamp is mounted at a height from the ground exceeding 1.5m (or 2.1m where fitting below 1.5m is not practicable due to the shape of the bodywork of the vehicle).
5. A retrofitted pair of lamps is:
 - a) not symmetrically mounted, or
 - b) not mounted as far towards each side of the vehicle as is practicable.

Condition

6. A lamp is insecure or, if a mandatory lamp, contains moisture in the form of large droplets, runs or puddles.
7. A lens is missing, or has a hole, crack or other damage that allows moisture or dirt to enter.
8. A lamp's reflector is damaged or has deteriorated so that light output is reduced.

Performance

9. When switched on, a forward-facing position lamp does not operate (Note 5).
10. When switched on, a forward-facing position lamp emits a light that is:
 - a) not substantially white or amber, or
 - b) not diffuse, or
 - c) not projected to the front, or

d) not approximately equal in colour or intensity from the other lamp in a pair, or

e) not steady, or

f) not bright enough to be visible from 200m in normal darkness, eg due to modification, deterioration, dirt or an incorrect light source, or

g) is altered, eg due to damage or modification.

11. A non-OE mandatory lamp mounted outside the original position emits a light that is not visible within (Figure 4-6-1):

a) 15° above and below the horizontal, or

b) 45° inboard or 80° outboard.

12. A modification to the vehicle has reduced the visibility angles of a mandatory lamp to less than (Figure 4-6-1):

a) 15° above and below the horizontal, or

b) 45° inboard or 80° outboard.

13. An overlay has been applied that reduces or distorts the light emitted from the lamp (eg a tinted cover).

14. Where a lamp comprises an array of light sources (eg LEDs), fewer than 75% of these operate.

Note 1 Definitions

Modify means to change a vehicle from its original state by altering, substituting, adding or removing a structure, system, component or equipment, but does not include repair.

Repair means to restore a damaged or worn vehicle, its structure, systems, components or equipment to within safe tolerance of its condition when manufactured, including replacement with undamaged or new structures, systems, components or equipment.

Position lamp means a low-intensity lamp that is designed to indicate to road users the presence and dimensions of a vehicle, being:

a) a forward-facing position lamp (front side lamp), or

b) a rearward-facing position lamp (rear side lamp or tail lamp), or

c) a side-marker lamp, or

d) an end-outline marker lamp (including cab roof lamp).

Note 2

An **original equipment (OE) lamp** is one that is fitted by the vehicle manufacturer in the original position, or is an equivalent replacement or aftermarket lamp suitable for the position provided by the vehicle manufacturer for that lamp. All other lamps are considered retrofitted (ie non-OE).

Note 3

A vehicle originally manufactured with a forward-facing position lamp arrangement that differs from what is required or permitted in this section may retain the original forward-facing position lamps provided they remain fitted in their original position and perform as intended by the vehicle manufacturer.

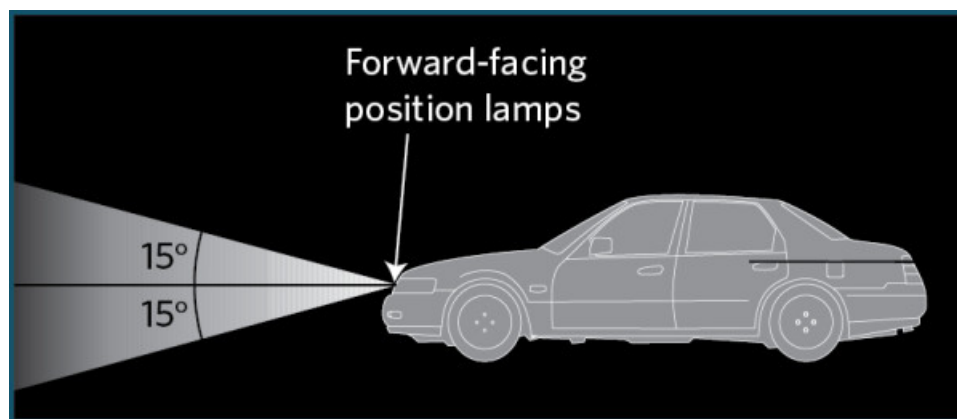
Note 4

A forward-facing permitted lamp that does not comply with the equipment, condition and performance requirements must be made to comply or be removed from the vehicle.

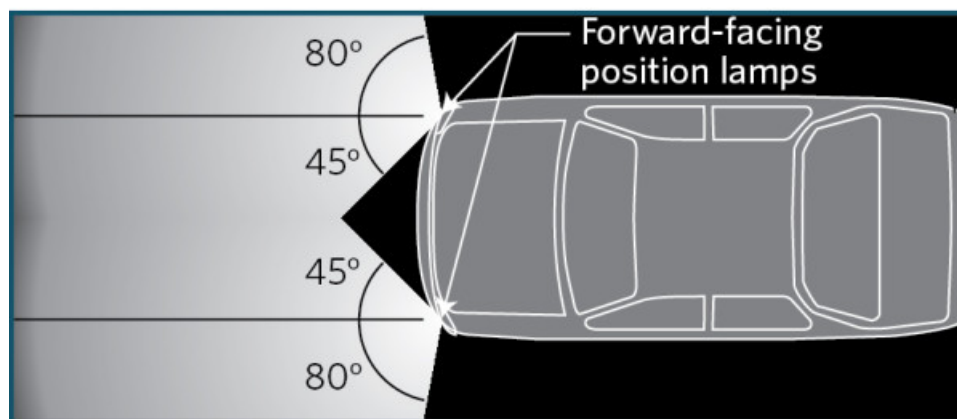
Note 5

Some vehicles are equipped with OE or after-market daytime running lamps (DRLs) that also incorporate position lamp and direction indicator lamp functions. When the DRLs are on (when headlamps are off), and an indicator lamp is activated, the corresponding DRL is temporarily extinguished or dimmed. When the position lamps are on and an indicator lamp is activated, the corresponding position lamp may remain lit.

Figure 4-6-1. Forward-facing position lamp beam angles



(a) Vertical beam angles



(b) Horizontal beam angles

Summary of legislation

Applicable legislation

- [Land Transport Rule: Vehicle Lighting 2004.](#)

Mandatory and permitted equipment

1. One pair of lamps must be fitted to:
 - a) a vehicle first registered in New Zealand on or after 1 January 1978 that exceeds 1.5m in width
 - b) a vehicle that exceeds 2m in width.
2. One or two lamps may be fitted to:
 - a) a vehicle that does not exceed 1.5m in width
 - b) a vehicle first registered in New Zealand before 1 January 1978 that does not exceed 2m in width.
3. A vehicle (eg a vintage or veteran vehicle) manufactured without lamps, or with lamps that cannot meet specified requirements, may obtain a WoF if:
 - a) the vehicle has a valid vehicle identity card with a lighting equipment endorsement, and
 - b) the vehicle meets the conditions of that endorsement.
4. A retrofitted pair of lamps must be symmetrically mounted as far towards each side of the vehicle as is practicable.
5. A retrofitted lamp must be mounted at a height from the ground not exceeding 1.5m, or if this is not practicable due to the shape of the bodywork of the vehicle, not exceeding 2.1m.

Condition

6. A forward-facing position lamp must:
 - a) be in sound condition
 - b) not be obscured (if a mandatory lamp).

Performance

7. A forward-facing position lamp must operate in a way that is appropriate for the lamp and the vehicle.
8. A lamp must emit a light that is:
 - a) diffuse, and
 - b) substantially white or amber, and
 - c) steady, and
 - d) sufficient to indicate to other road users the presence and dimensions of the vehicle, and
 - e) visible from 200m in normal darkness, and
 - f) of approximately equal intensity and colour to the other lamp of a pair.
9. A retrofitted mandatory lamp must be visible within angles of:
 - a) 15° above and below the horizontal, and
 - b) 45° inboard, and
 - c) 80° outboard.
10. Where a lamp comprises an array of light sources (eg LEDs), at least 75% of these must operate.

Modifications (Note 1)

11. A forward-facing position lamp that is affected by a modification must meet the equipment, condition and performance requirements.

Page amended **2 December 2019** (see [amendment details](#)).