

Correct as at 7th June 2026. It may be superseded at any time.

Extract taken from: In-service certification (WoF and CoF) > Heavy PSVs > Lighting > Direction indicator lamps

4-5 Direction indicator lamps

Reasons for rejection

Mandatory and permitted equipment

1. Refer to [general vehicle pages](#).
2. A heavy vehicle of class MD3, MD4, ME, NB, or NC first registered on or after 1 January 1978 that exceeds 9.2m in length:
 - a) is not fitted with one side-facing direction indicator lamp on each side, at or near the front of the vehicle, or
 - b) is fitted with more than two side-facing direction indicator lamps on either side.
3. A retrofitted side-facing direction indicator lamp is fitted at a height from the ground exceeding 1.5m (or 2.1m where fitting below 1.5m is not practicable due to the shape of the bodywork of the vehicle).
4. A heavy vehicle is fitted at the rear with:
 - a) only one top-mounted lamp, or
 - b) more than one pair of top-mounted lamps, or
 - c) top-mounted lamps that are not mounted symmetrically as close as is practicable to the top corners of the bodywork.
5. A pair of forward-facing or rearward-facing direction indicator lamps (other than top-mounted lamps):
 - a) in the case of a vehicle with one pair, is fitted at a height from the ground exceeding 1.5m (or 2.1m where fitting below 1.5m is not practical due to the shape of the bodywork of the vehicle), or
 - b) in the case of a vehicle with two pairs:
 - i. the lower pair is fitted at a height from the ground exceeding 1.5m (or 2.1m where fitting below 1.5m is not practical due to the shape of the bodywork of the vehicle), or
 - ii. the other pair is fitted at a height from the ground exceeding 2.1m.
6. A heavy vehicle is fitted with top-mounted lamps at the front of the vehicle.

Condition

7. Refer to [general vehicle pages](#).

Performance

8. Refer to [general vehicle pages](#).
9. A mandatory side-facing direction indicator lamp is not visible from the side of the vehicle (Figure 4-5-2):
 - a) through an angle of 60° above and below a horizontal plane passing through the lamp, or

b) at least between an angle of 30° and 80° rearward of a vertical plane that is at right angles to the longitudinal centreline of the vehicle and passing through the lamp.

Note 1 Definitions

Modify means to change a vehicle from its original state by altering, substituting, adding or removing a structure, system, component or equipment, but does not include repair.

Repair means to restore a damaged or worn vehicle, its structure, systems, components or equipment to within safe tolerance of its condition when manufactured, including replacement with undamaged or new structures, systems, components or equipment.

Direction indicator lamp means a lamp designed to emit a flashing light to signal the intention of the driver to change the direction of the vehicle to the right or to the left.

Note 2

A permitted (ie non-mandatory) rear or a non-OE side-facing direction indicator lamp that does not comply with equipment, condition and performance requirements must be made to comply or disabled so that it does not emit a light.

Note 3

An **original equipment (OE) lamp** is one that is fitted by the vehicle manufacturer in the original position, or is an equivalent replacement or aftermarket lamp suitable for the position provided by the vehicle manufacturer for that lamp. All other lamps are considered retrofitted (ie non-OE).

Note 4

Vehicles first registered in New Zealand before 27 February 2005 may have rear direction indicator lamps that also function as reversing lamps.

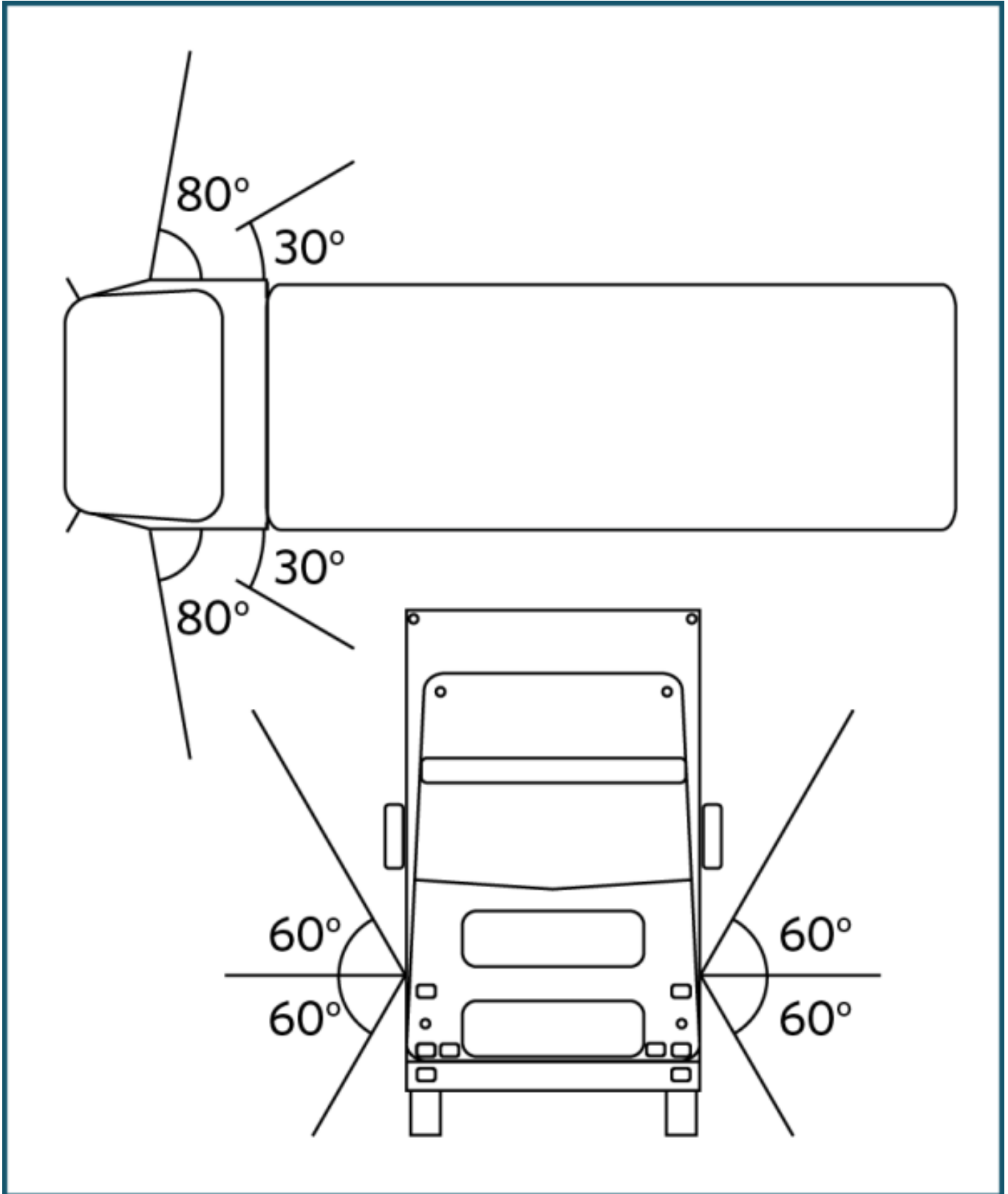
Note 5

A vehicle originally manufactured with a direction indicator lamp arrangement that differs from what is required or permitted in this section may retain the original direction indicator lamps provided they remain fitted in their original position and perform as intended by the vehicle manufacturer.

Note 6

A forward-facing permitted lamp that does not comply with the equipment, condition and performance requirements must be made to comply or be removed from the vehicle.

Figure 4-5-2. Direction indicator beam angles



Summary of legislation

Applicable legislation

- [Land Transport Rule: Vehicle Lighting 2004](#).

Mandatory and permitted equipment

1. Refer to [general vehicle pages](#).
2. A heavy vehicle of class MD3, MD4, ME, NB, or NC first registered on or after 1 January 1978 that exceeds 9.2m in length must be fitted with one or two side-facing direction indicator lamps on each side, at or near the front of the vehicle.
3. A retrofitted side-facing direction indicator lamp must be mounted at a height not exceeding 1.5m, or if this is not practicable due to the shape of the bodywork of the vehicle, not exceeding 2.1m.
4. A heavy vehicle may be fitted with an additional pair of direction indicator lamps at the rear of the vehicle that must be symmetrically mounted as near the top corners of the bodywork of the vehicle as is practicable (top-mounted lamps).
5. Forward-facing or rearward-facing direction indicator lamps (excluding top-mounted lamps) may be mounted as follows:
 - a) one pair at a height from the ground not exceeding 1.5m, or if this is not practicable due to the shape of the bodywork of the vehicle, not exceeding 2.1m, and
 - b) a second pair at a height from the ground not exceeding 2.1m.

Condition

6. Refer to [general vehicle pages](#).

Performance

7. Refer to [general vehicle pages](#).
8. A mandatory side-facing direction indicator must be visible from the side of the vehicle:
 - a) through an angle of 60° above and below the horizontal plane passing through the lamp, and
 - b) at least between an angle of 30° and 80° rearward of a vertical plane that is at right angles to the longitudinal centreline of the vehicle and passing through the lamp.

Modifications

9. Refer to [general vehicle pages](#).