

Correct as at 26th June 2026. It may be superseded at any time.

Extract taken from: In-service certification (WoF and CoF) > General vehicles > Lighting

## 4 Lighting

### 4-1 Headlamps

#### Reasons for rejection

##### Mandatory and permitted equipment

1. A vehicle other than class LE is not fitted with one pair of dipped-beam headlamps.
2. A vehicle other than class LE is fitted with more than:
  - a) one pair of dipped-beam headlamps (Note 10) , or
  - b) two pairs of dipped-beam headlamps if the vehicle was first registered anywhere between 1 January 1977 and 31 March 1980, or
  - c) two pairs of main-beam headlamps.
3. A vehicle other than class LE is fitted with a headlamp that is not in a pair.
4. A vehicle of class LE is not fitted with one dipped-beam headlamp.
5. A vehicle of class LE is fitted with more than:
  - a) two dipped-beam headlamps, or
  - b) two main-beam headlamps.
6. A vehicle (eg a vintage or veteran vehicle) does not meet standard headlamp requirements, and:
  - a) does not have a valid vehicle identity card with a lighting equipment endorsement, or
  - b) does not meet the conditions of the lighting equipment endorsement in its vehicle identity card.
7. A device that allows the headlamps to flash alternately is fitted to a vehicle that is not an emergency vehicle or a pilot vehicle.
8. A vehicle is fitted with a dipped-beam headlamp where the maximum intensity of the beam is projected to the right.

##### Condition

(see Note 5)

9. A lamp is insecure, obscured, or contains dirt or moisture in the form of large droplets, runs or puddles.
10. A lens is missing, or has a hole, crack or other damage that allows moisture or dirt to enter.
11. A lens or reflector is damaged or has deteriorated so that light output is reduced.
12. A main-beam headlamp warning device is obscured from the driver's vision.

## Performance

13. When switched on, a headlamp emits a light that is:

- a) not substantially white or amber, or
- b) not approximately equal in colour or intensity from the other lamp in a pair, or
- c) not steady, or
- d) not bright enough to illuminate the road ahead, eg due to modification, deterioration or an incorrect light source, or
- e) too bright, eg due to the fitment of an HID or LED conversion kit (Note 8) or other incorrect light source (see also reason for rejection 19 below).

14. When the dipped-beam headlamps are switched on (with wheels pointing straight ahead):

- a) a lamp does not operate, or
- b) more than two lamps operate on dipped beam, or
- c) more than four lamps operate on dipped beam on a vehicle first registered anywhere between 1 January 1977 and 31 March 1980, or
- d) the light beam produces an incorrect beam pattern, is not focused, or is reduced or altered, or
- e) the centreline of the light beam is too far to the left or slopes down too far so that the headlamp is no longer capable of illuminating the road at least 50m ahead (Figure 4-1-2), or
- f) the centreline of the light beam projects to the right of the vehicle's centreline, or projects from the lamp at an angle other than:
  - i. as specified by the vehicle or lamp manufacturer, or
  - ii. as specified in Table 4-1-1.

15. When the main-beam headlamps are switched on (with wheels pointing straight ahead):

- a) a lamp does not operate, or
- b) more than two lamps operate on main beam on a class LE vehicle, or
- c) more than four lamps operate on main beam on a vehicle of group M or N, or
- d) a vehicle first registered anywhere between 1 February 1977 and 31 March 1980 has a second pair of dipped-beam headlamps that continue to operate, or
- e) the centreline of the light beam projects to the right of the vehicle's centreline or up from the horizontal, or
- f) the light beam produces an incorrect beam pattern, is not focused or is reduced or altered, or
- g) the lamps are not capable of being switched to dipped beam or turned off from the driver's seating position, or
- h) a main-beam headlamp warning device, if fitted as original equipment, does not indicate to the driver that the main-beam headlamps are switched on.

16. A device fitted to a vehicle that allows the headlamps to flash alternately:

- a) does not indicate to the driver that the device is activated, or
- b) flashes:

- i. faster than two flashes per second, or
- ii. slower than one flash per second, or
- iii. at a varying frequency.

17. Where a headlamp comprises an array of light sources (eg LEDs) fewer than 75% of these operate.

### **Modifications**

18. An overlay has been applied that reduces or distorts the light emitted from the lamp (eg a tinted cover).

19. A headlamp is retrofitted with a type of light source other than that specified by the vehicle manufacturer or the headlamp manufacturer (eg a headlamp designed for a halogen bulb is fitted with any other type of light source such as an HID or LED bulb, or any other light source such as LED strips or non-OEM angel eyes) (Note 8).

20. Retrofitted headlamps are not fitted:

- a) as a pair, or
- b) symmetrically, or
- c) as far towards each side of the vehicle as is practicable.

21. A retrofitted dipped-beam headlamp on a vehicle with a GVM of 12,000 kg or less is positioned at a height exceeding 1.2m from the ground (Note 9).

### **Note 1**

An **original equipment (OE) lamp** is one that is fitted by the vehicle manufacturer in the original position, or is an equivalent replacement or aftermarket lamp suitable for the position provided by the vehicle manufacturer for that lamp. All other lamps are considered retrofitted (ie non-OE).

### **Note 2**

If the dipped-beam headlamps are able to be adjusted from the driver's seating position, the alignment must be checked with the adjustment at its highest position.

### **Note 3**

If the vehicle is fitted with self-levelling suspension, the alignment must be checked with the suspension at its normal level.

### **Note 4**

**Modify** means to change a vehicle from its original state by altering, substituting, adding or removing a structure, system, component or equipment, but does not include repair.

**Repair** means to restore a damaged or worn vehicle, its structure, systems, components or equipment to within safe tolerance of its condition when manufactured, including replacement with undamaged or new structures, systems, components or equipment.

**Headlamp** means a lamp designed to illuminate the road ahead of a vehicle, and that is a:

- a) dipped-beam headlamp (single lamp), or

- b) main-beam (high-beam) headlamp (single lamp), and includes a driving lamp, or
- c) combination of a dipped-beam headlamp and a main-beam headlamp (dual-lamp unit).

**Dipped-beam headlamp** means a headlamp that is designed to emit a dipped beam, which is a beam of light that is angled downwards in such a way that it prevents undue dazzle or discomfort to oncoming drivers and other road users.

**Main-beam headlamp** means a headlamp that is designed to illuminate the road over a long distance ahead of the vehicle.

#### Note 5

If a headlamp is fitted with a readily removable cover, other than a clear protective cover, this must be removed for inspection of the headlamp.

#### Note 6

A vehicle originally manufactured with a headlamp arrangement that differs from what is required or permitted in this section may retain the original headlamps provided they remain fitted in their original position and perform as intended by the vehicle manufacturer.

#### Note 7

A forward-facing permitted lamp that does not comply with the equipment, condition and performance requirements must be made to comply or be removed from the vehicle.

#### Note 8

A high-intensity discharge (HID or Xenon HID) or LED conversion kit consists of an HID or LED bulb which fits into the original headlamp unit in place of the original bulb with no change to the headlamp lens, reflector or housing.

It is illegal to fit an HID or LED conversion kit to a vehicle as it brings the headlamp out of standards compliance by producing poor beam patterns and light that is often far too bright to be safe. The bulbs can also produce light that is noticeably blue and not the required substantially white or amber colour. Vehicle and headlamp manufacturers do not permit this modification, and these kits cannot be LVV certified.

It is permitted to replace a complete halogen headlamp unit with a complete HID or LED headlamp unit. If the vehicle is required to meet an approved safety standard for headlamps, only approved headlamps can be retrofitted (see Figure 4-1-1).

#### Note 9

The dipped-beam headlamps may be positioned at a height exceeding 1.2m if a road maintenance implement (eg, snowplough or roadsweeper) fitted to the front of the vehicle would obscure headlamps placed at a height of 1.2m or less.

#### Note 10

It is acceptable for a pair of dipped-beam headlamps to consist of one symmetric and one asymmetric dipped-beam headlamp. However, in some cases this may result in one lamp being noticeably brighter than the other lamp in the pair. In that case, the vehicle inspector may determine that the dipped beams differ noticeably in light intensity, and the

lamps fail the inspection. Note that a beamsetter's luxmeter cannot measure the light intensity of a dipped beam headlamp.

**Table 4-1-1. Allowable dipped-beam headlamp alignment**

	Headlamp type	Distance from ground to centre of light source	Dip rate of beam centre: lower and upper limits		
			Percent (%)	mm/3 m	Degrees (°)
<b>EITHER</b>	Any headlamp dipped beam	N/A	That specified by the vehicle or headlamp manufacturer		
<b>OR</b>	Headlamp with an older style symmetric dipped-beam pattern (see Figure 4-1-2)	N/A	3.0–3.5	90–105	1.7–2.0
<b>OR</b>	Headlamp with a modern symmetric or asymmetric dipped-beam pattern and distance from ground to centre of light source (see Figure 4-1-2)	less than 0.8 m	1.0–1.5	30–45	0.57–0.85
		0.8–1.2 m	1.0–2.0	30–60	0.57–1.15
		more than 1.2 m	2.0–2.5	60–75	1.15–1.43

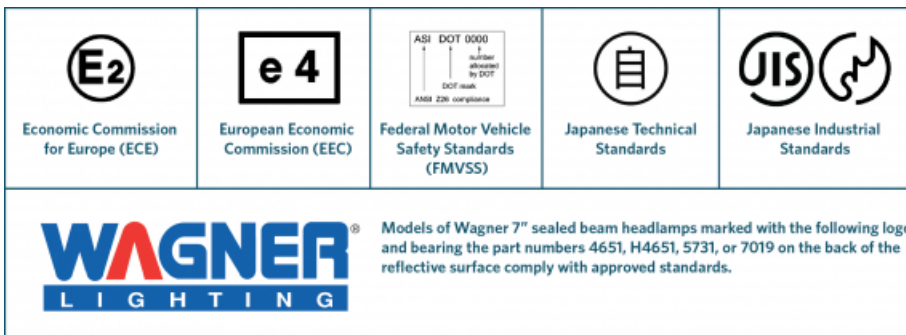
**Table 4-1-2. Dipped-beam angle conversions**

<b>Percent (%)</b>	<b>mm/3 m</b>	<b>Degrees (°)</b>
1.0	30	0.6
1.1	33	0.6
1.2	36	0.7
1.3	39	0.7
1.4	42	0.8
1.5	45	0.9
1.6	48	0.9
1.7	51	1.0
1.8	54	1.0
1.9	57	1.1
2.0	60	1.1
2.1	63	1.2
2.2	66	1.3
2.3	69	1.3
2.4	72	1.4
2.5	75	1.4
2.6	78	1.5
2.7	81	1.5

Percent (%)	mm/3 m	Degrees (°)
2.8	84	1.6
2.9	87	1.7
3.0	90	1.7
3.1	93	1.8
3.2	96	1.8
3.3	99	1.9
3.4	102	1.9
3.5	105	2.0

**Figure 4-1-1. Approved headlamp standard markings**

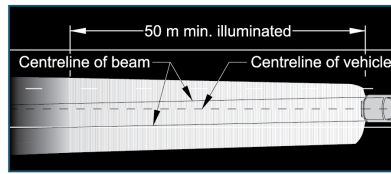
The following standard markings may assist in determining compliance with approved standards.



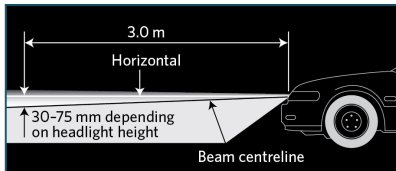
Vehicles required to comply with an approved headlamp standard are:

- vehicles of class MA and NA manufactured on or after 1 January 1992
- vehicles of class MB, MC, MD1, MD2, MD3, MD4, ME, NB and NC manufactured on or after 1 January 1996.

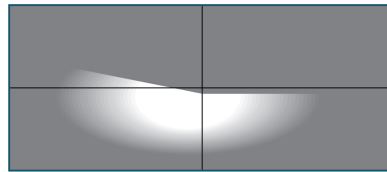
**Figure 4-1-2. Minimum illuminated area**



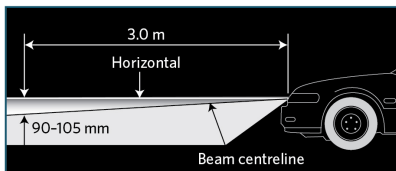
**Minimum illuminated area**



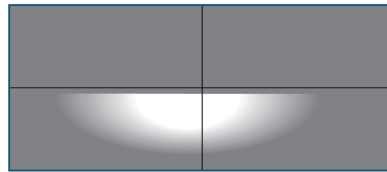
**Asymmetric dipped beam**



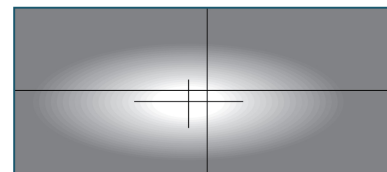
**Asymmetric dipped beam headlamp pattern on light board**



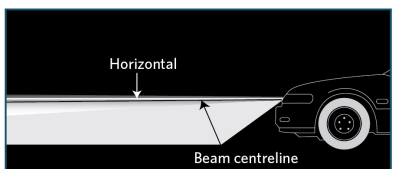
**Symmetric dipped beam**



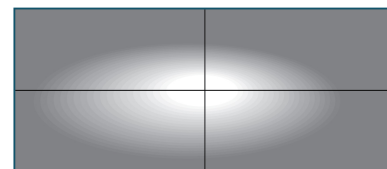
**Modern symmetric dipped beam headlamp pattern on light board**



**Older-style symmetric dipped beam headlamp pattern on light board**



**Main (high) beam**



**Main (high) beam headlamp pattern on light board**

## Summary of legislation

### Applicable legislation

- [Land Transport Rule: Vehicle Lighting 2004](#)
- New Zealand Gazette, 28 August 1980, issue 103, page 2569.

### Mandatory and permitted equipment

1. A vehicle other than of class LE:

- a) must be fitted with one pair of dipped-beam headlamps, and

- b) may be fitted with one or two pairs of main-beam headlamps.
2. A vehicle of class LE:
- a) must be fitted with one or two dipped-beam headlamps, and
  - b) may be fitted with one or two main-beam headlamps.
3. A vehicle first registered anywhere between 1 February 1977 and 31 March 1980 may be fitted with a second pair of dipped-beam headlamps that:
- a) do not operate when the main-beam headlamps are switched on, and
  - b) may operate independently of the first pair of dipped-beam headlamps.
4. A vehicle (eg a vintage or veteran vehicle) manufactured without lamps, or with lamps that cannot meet specified requirements, may obtain a WoF if:
- a) the vehicle has a valid vehicle identity card with a lighting equipment endorsement, and
  - b) the vehicle meets the conditions of that endorsement.
5. A vehicle required to meet an approved safety standard for lighting must continue to meet an approved safety standard for lighting.
6. A retrofitted dipped-beam headlamp on a vehicle with a GVM of 12,000 kg or less must be fitted at a height not exceeding 1.2 m from the ground (Note 9).
7. A warning device may be fitted that indicates that the main-beam headlamps are switched on.
8. An emergency vehicle or a pilot vehicle may be fitted with a device that allows the headlamps to flash alternately, provided it is also fitted with equipment that indicates to the driver that the device is activated.
9. A retrofitted pair of headlamps must be symmetrically mounted as far towards each side of the vehicle as is practicable.

### **Prohibited equipment**

10. A dipped-beam headlamp designed solely for a left-hand drive vehicle, where the maximum intensity of the beam is dispersed to the right, must not be fitted.

### **Condition (Note 5)**

11. A headlamp must:
- a) be in sound condition, and
  - b) not be obscured.

### **Performance**

12. A headlamp must operate in a way that is appropriate for the lamp and the vehicle.
13. A headlamp must emit a steady light.
14. A headlamp must provide sufficient illumination and light output to illuminate the road ahead.
15. If fitted with a device that allows headlamps to flash alternately, the lamps must flash at a fixed frequency.
16. A pair of headlamps must emit light that is approximately of equal colour and intensity when switched on.

17. A headlamp must emit a beam that is substantially white or amber.
18. A main-beam headlamp must be capable of being dipped or turned off from the driver's position.
19. A warning device that indicates that the main-beam lamps are in operation must be in good working order.
20. When the headlamps are switched on and the vehicle's front wheels are pointing in the straight-ahead position:
  - a) the centre of a headlamp beam must be either parallel to or to the left of the longitudinal centreline of the vehicle, and
  - b) the centre of a main-beam headlamp beam must be either parallel to or dipping down from the horizontal, and
  - c) the centre of a dipped-beam headlamp beam must dip at an angle specified by the vehicle or lamp manufacturer, or:
    - i. 3–3.5% for a symmetric beam pattern, or
    - ii. 1–1.5% for an asymmetric beam pattern where the centre of the light source is less than 0.8 m from the ground, or
    - iii. 1–2% for an asymmetric beam pattern where the centre of the light source is 0.8–1.2 m from the ground, or
    - iv. 2–2.5% for an asymmetric beam pattern where the centre of the light source is above 1.2 m from the ground.
21. The dipped-beam headlamps must illuminate the road ahead for 50 m in normal darkness.
22. Where a headlamp comprises an array of light sources (eg LEDs), at least 75% of these must operate.
23. A device fitted to a vehicle that allows the headlamps to flash must:
  - a) make the headlamps flash alternately at a frequency of 1–2 Hertz, and
  - b) incorporate equipment that indicates to the driver that the device is activated.
24. A headlamp must be fitted with a light source that is specified by the vehicle manufacturer or the headlamp manufacturer.

#### **Modifications (Note 4)**

25. A headlamp that is affected by a modification must meet equipment, condition and performance requirements.

Page amended **1 April 2021** (see [amendment details](#)).

## **4-2 Front and rear fog lamps**

### **Reasons for rejection**

#### **Permitted equipment**

1. A group M or N vehicle is fitted with:
  - a) only one front fog lamp, or
  - b) more than one pair of front fog lamps.
2. A vehicle of class LE is fitted with more than two front fog lamps.

3. A vehicle is fitted with more than two rear fog lamps.
4. A retrofitted pair of fog lamps is not fitted:
  - a) symmetrically, or
  - b) as far towards each side of the vehicle as is practicable, or
  - c) positioned higher than the dipped-beam headlamps.

### Condition

(see Note 3)

5. A lamp is insecure or contains moisture in the form of large droplets, runs or puddles .
6. A lens is missing, or has a hole, crack or other damage that allows moisture or dirt to enter.
7. A reflector is damaged or has deteriorated so that light output is reduced.
8. A fog lamp warning device, if fitted, is obscured from the driver's vision.

### Performance

9. When switched on, a front fog lamp does not operate (Note 5).
10. When switched on, a front fog lamp emits light that:
  - a) is not projected to the front, or
  - b) produces an incorrect beam pattern (Figure 4-2-1), or
  - c) is not substantially white or amber to the front, or
  - d) is not approximately equal in colour or intensity from the other lamp in the pair, or
  - e) is not steady, or
  - f) is not bright enough to illuminate the road ahead in conditions of severely reduced visibility, eg due to modification, deterioration, dirt or an incorrect light source, or
  - g) is too bright, and could dazzle other road users, eg due to the fitment of an HID or LED conversion kit (Note 6) or other incorrect light source , or
  - h) is altered, eg due to damage or modification, or
  - i) has a beam centre to the right of the vehicle's centreline, or
  - j) has a beam that is not permanently dipped, or
  - k) has a beam centre that dips at an angle of less than 3% (Figure 4-2-1).
11. When switched on, a rear fog lamp emits light that is:
  - a) not projected to the rear, or
  - b) not diffuse, or
  - c) not substantially red, or
  - d) not approximately equal in colour or intensity from the other lamp in a pair, or
  - e) of variable intensity, or

f) not bright enough to indicate the presence of the vehicle from the rear in conditions of severely reduced visibility, eg due to modification, deterioration or an incorrect light source, or

g) altered, eg due to damage or modification.

12. A fog lamp cannot be switched off from the driver's seating position.

13. Where a fog lamp comprises an array of light sources (eg LEDs), fewer than 75% of these operate.

14. A fog lamp warning device, if fitted, does not operate.

#### **Note 1**

**Fog lamp** means a high-intensity front or rear lamp designed to aid the driver or other road users in conditions of severely reduced visibility, including fog or snow, but not including clear atmospheric conditions under the hours of darkness.

#### **Note 2**

A rear fog lamp that does not comply with equipment, condition and performance requirements must be made to comply or be disabled so that it does not emit a light.

#### **Note 3**

If a front fog lamp is fitted with a readily removable cover, other than a clear protective cover, this must be removed for inspection of the fog lamp.

#### **Note 4**

A vehicle originally manufactured with a front- or rear-fog-lamp arrangement that differs from what is required or permitted in this section may retain the original front or rear fog lamps provided they remain fitted in their original position and perform as intended by the vehicle manufacturer.

#### **Note 5**

A forward-facing permitted lamp that does not comply with the equipment, condition and performance requirements must be made to comply, be removed from the vehicle, or be disabled so that it does not emit a light.

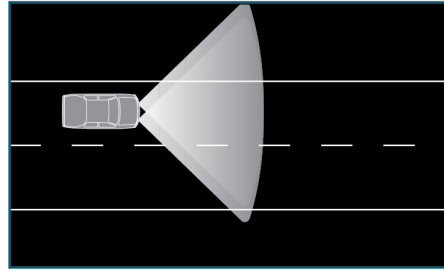
#### **Note 6**

A high-intensity discharge (HID or Xenon HID) or LED conversion kit consists of an HID or LED bulb which fits into the original fog lamp unit in place of the original bulb with no change to the lens, reflector or housing.

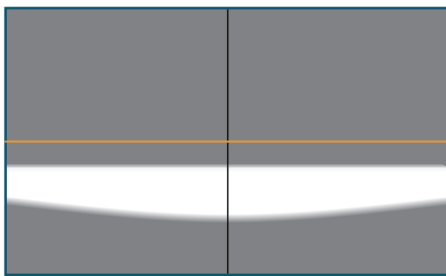
It is illegal to fit an HID or LED conversion kit to a vehicle as it brings the fog lamp out of specification by producing poor beam patterns and light that is often far too bright to be safe. The bulbs can also produce light that is noticeably blue and not the required substantially white or amber colour. Fog lamp manufacturers do not permit this modification, and these kits cannot be LVV certified.

It is permitted to replace a complete halogen fog lamp unit with a complete HID or LED fog lamp unit.

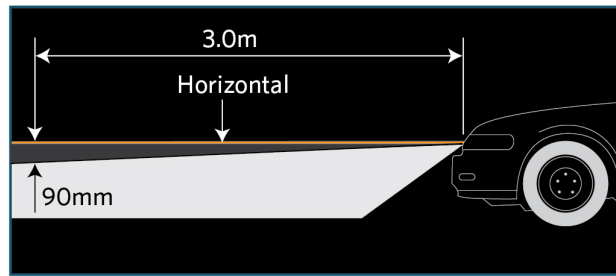
Figure 4-2-1. Front fog lamp characteristics



(a) Pattern on the road



(b) Pattern on light board



(c) Beam dip angle

## Summary of legislation

### Applicable legislation

- [Land Transport Rule: Vehicle Lighting 2004](#).

### Permitted equipment

1. A vehicle other than class LE: one pair of front fog lamps.
2. A vehicle of class LE: one or two front fog lamps.
3. One or two rear fog lamps.
4. A retrofitted pair of fog lamps must be symmetrically mounted as far as is practicable towards each side of the vehicle.
5. A retrofitted front fog lamp must not be positioned higher than the dipped-beam headlamps.
6. A vehicle may be fitted with a warning device that indicates that a front or rear fog lamp is in operation.

### Condition

7. A front fog lamp must be in sound condition.
8. A rear fog lamp must be in sound condition if it emits a light.

### Performance

9. A fog lamp must operate in a way that is appropriate for the lamp and the vehicle.
10. A fog lamp must emit a steady light.

11. A front fog lamp must provide sufficient light output to illuminate the road ahead in conditions of severely reduced visibility.
12. A rear fog lamp must provide sufficient light output to indicate the presence of the vehicle on the road in conditions of severely reduced visibility.
13. The light emitted from a front fog lamp must be substantially white or amber.
14. The light emitted from a rear fog lamp must be diffuse and substantially red in colour.
15. A pair of fog lamps must emit light that is approximately equal in colour and intensity.
16. The centre of a front fog lamp beam must be parallel to or to the left of the longitudinal centreline of the vehicle.
17. The centre of a front fog lamp beam must be permanently dipped at an angle of at least 3%.
18. A fog lamp must be able to be turned off from the driver's seating position.
19. A front or rear fog lamp warning device must be in good working order.
20. Where a fog lamp comprises an array of light sources (eg LEDs), at least 75% of these must operate.

### **Modifications**

22. A fog lamp that is affected by a modification:
  - a) must meet equipment, condition and performance requirements, and
  - b) does not require LVV specialist certification.

Page amended **1 April 2024** (see [amendment details](#)).

## **4-3 Cornering lamps**

### **Reasons for rejection**

#### **Permitted equipment**

1. A vehicle is fitted with:
  - a) only one lamp, or
  - b) more than one pair of lamps, or
  - c) a lamp that either:
    - i. was not originally fitted by the vehicle manufacturer, or
    - ii. is not fitted in the original position.

#### **Condition**

2. A lamp is insecure.
3. A lens is missing, or has a hole, crack or other damage that allows moisture or dirt to enter.
4. A lamp's reflector is damaged or has deteriorated so that light output is reduced.

## Performance

5. When activated by switching on the direction indicator lamp or by turning the steering wheel, a cornering lamp:
  - a) does not operate, or
  - b) does not project in the direction of the turn.
6. A cornering lamp emits light that is:
  - a) not substantially white or amber, or
  - b) not approximately equal in colour or intensity from the other lamp in the pair, or
  - c) not steady, or
  - d) not bright enough to illuminate the road ahead in the direction of the turn, eg due to modification, deterioration, dirt or or an incorrect light source, or
  - e) too bright causing dazzle to other road users, eg due to an incorrect light source or misalignment, or
  - f) altered, eg due to damage or modification.
7. Where a cornering lamp comprises an array of light sources (eg LEDs), fewer than 75% of these operate.

### Note 1

**Cornering lamp** means a lamp designed to emit light at the front of a vehicle to supplement the vehicle's headlamps by illuminating the road ahead in the direction of the turn.

### Note 2

An **original equipment (OE) lamp** is one that is fitted by the vehicle manufacturer in the original position, or is an equivalent replacement or aftermarket lamp suitable for the position provided by the vehicle manufacturer for that lamp. All other lamps are considered retrofitted (ie non-OE).

### Note 3

A vehicle originally manufactured with a cornering lamp arrangement that differs from what is required or permitted in this section may retain the original cornering lamps provided they remain fitted in their original position and perform as intended by the vehicle manufacturer.

### Note 4

A forward-facing permitted lamp that does not comply with the equipment, condition and performance requirements must **be disabled so that it does not emit a light**.

## Summary of legislation

### Applicable legislation

- [Land Transport Rule: Vehicle Lighting 2004](#).

### **Permitted equipment**

1. One pair of cornering lamps fitted as OE.

### **Condition**

2. A cornering lamp must be in sound condition.

### **Performance**

3. A cornering lamp must operate in a way that is appropriate for the lamp and the vehicle.
4. A cornering lamp must emit light that is substantially white or amber.
5. A pair of cornering lamps must emit light that is approximately equal in colour and intensity.
6. A cornering lamp must emit a steady light.
7. A cornering lamp must provide sufficient light output to illuminate the road ahead in the direction of the turn.
8. A cornering lamp must be correctly aligned.
9. Where a cornering lamp comprises an array of light sources (eg LEDs), at least 75% of these must operate.

### **Modifications**

10. A cornering lamp that is affected by a modification:
  - a) must meet equipment, condition and performance requirements, and
  - b) does not require LVV specialist certification.

Page amended 1 December 2016 (see [amendment details](#)).

## **4-4 Daytime running lamps**

### **Reasons for rejection**

#### **Permitted equipment**

1. A vehicle other than class LE is fitted with:
  - a) only one lamp, or
  - b) more than one pair of lamps.
2. A vehicle of class LE is fitted with more than two lamps.
3. A lamp is fitted in a position other than at the front of the vehicle.
4. A retrofitted lamp is not:
  - a) symmetrically mounted, or
  - b) mounted as far towards each side of the vehicle as is practicable.

#### **Condition**

5. A lamp is insecure.

6. A lens is missing, or has a hole, crack or other damage that allows moisture or dirt to enter.

7. A lamp's reflector is damaged or has deteriorated so that light output is reduced.

### Performance

8. When switched on, a daytime running lamp does not operate (Note 4).

9. When switched on, a daytime running lamp emits light that is:

a) projected in a direction other than to the front, or

b) not substantially white or amber, or

c) not approximately equal in colour or intensity from the other lamp in the pair, or

d) not steady, or

e) not bright enough to make the vehicle more easily seen during the daytime, eg due to modification, deterioration, dirt or or an incorrect light source, or

f) too bright, causing significant dazzle to other road users, eg due to an incorrect light source, or

g) altered, eg due to damage or modification.

10. Where a daytime running lamp comprises an array of light sources, fewer than 75% of these operate.

11. A daytime running lamp continues to operate when the headlamps or fog lamps are switched on.

### Note 1

**Daytime running lamp** means a lamp designed to emit a low-intensity light forward of a vehicle to make it more easily seen in the daytime.

### Note 2

A vehicle originally manufactured with a daytime running lamp arrangement that differs from what is required or permitted in this section may retain the original daytime running lamps provided they remain fitted in their original position and perform as intended by the vehicle manufacturer.

### Note 3

A forward-facing permitted lamp that does not comply with the equipment, condition and performance requirements must be made to comply or **be disabled so that it does not emit a light**.

### Note 4

Some vehicles are equipped with OE or after-market daytime running lamps (DRLs) that also incorporate position lamp and direction indicator lamp functions. When the DRLs are on (when headlamps are off), and an indicator lamp is activated, the corresponding DRL is temporarily extinguished or dimmed. When the position lamps are on and an indicator lamp is activated, the corresponding position lamp may remain lit.

# Summary of legislation

## Applicable legislation

- [Land Transport Rule: Vehicle Lighting 2004](#).

## Permitted equipment

1. A vehicle other than class LE may have: one pair of daytime running lamps fitted to the front of the vehicle.
2. A vehicle of class LE may have one or two daytime running lamps fitted to the front of the vehicle.
3. A retrofitted lamp must be symmetrically mounted as far towards each side of the vehicle as is practicable.

## Condition

4. A daytime running lamp must be in sound condition.

## Performance

5. A daytime running lamp must operate in a way that is appropriate for the lamp and the vehicle.
6. A daytime running lamp must emit light that is substantially white or amber.
7. A pair of daytime running lamps must emit light that is of approximately equal colour and intensity.
8. A daytime running lamp must emit a steady light.
9. A daytime running lamp must provide sufficient light output to make the vehicle more easily seen during the daytime.
10. A daytime running lamp must be correctly aligned.
11. A daytime running lamp must not operate when a front fog lamp or a headlamp is in use.
12. Where a daytime running lamp comprises an array of light sources (eg LEDs), at least 75% of these must operate.

## Modifications

13. A daytime running lamp that is affected by a modification:
  - a) must meet equipment, condition and performance requirements, and
  - b) does not require LVV specialist certification.

Page amended **1 December 2016** (see [amendment details](#)).

## 4-5 Direction indicator lamps

### Reasons for rejection

#### Mandatory and permitted equipment

1. A vehicle of class LE first registered in New Zealand on or after 1 January 1978 is not fitted with one pair of lamps to the front and one pair of lamps to the rear.

2. A vehicle of class LE first registered in New Zealand before 1 January 1978 is fitted with more than one pair of lamps to the front or more than one pair of lamps to the rear.
3. A vehicle other than class LE first registered anywhere on or after 1 July 1967 is not fitted with one pair of lamps to the front and one pair of lamps to the rear.
4. A vehicle is fitted with more than:
  - a) two pairs of lamps to the front, or
  - b) two pairs of lamps to the rear, or
  - c) three pairs of lamps (including top-mounted lamps) to the rear if the vehicle is an emergency vehicle.
5. An emergency vehicle is fitted at the rear with:
  - a) more than one pair of top-mounted lamps, or
  - b) top-mounted lamps that are not mounted as close as is practicable to the top corners of the bodywork.
6. A vehicle is fitted with more than two side-facing lamps on each side of the vehicle.
7. A vehicle is fitted with a lamp that is not in a pair.
8. A vehicle is not fitted with a visual lamp indicator device that indicates to the driver that a lamp has failed ( only where one was fitted as original equipment).
9. A retrofitted lamp is not:
  - a) symmetrically mounted, or
  - b) mounted as far towards each side of the vehicle as is practicable.
10. A retrofitted lamp, other than a top-mounted lamp on an emergency vehicle, is fitted at a height from the ground exceeding 1.5m (or 2.1m where fitting below 1.5m is not practicable due to the shape of the bodywork of the vehicle).
11. A vehicle (eg avintage or veteran vehicle) does not meet standard direction indicator lamp requirements, and:
  - a) does not have a valid vehicle identity card with a lighting equipment endorsement, or
  - b) does not meet the conditions of the lighting equipment endorsement in its vehicle identity card.

### **Condition**

12. A lamp is insecure or, if a mandatory lamp, contains moisture in the form of large droplets, runs or puddles.
13. A lens is missing, or has a hole, crack or other damage that allows moisture or dirt to enter.
14. A lamp's reflector is damaged or has deteriorated so that light output is reduced.
15. A visual lamp-failure warning device is obscured from the driver in the driver's seating position.

### **Performance**

16. When switched on, a direction indicator lamp:
  - a) does not operate, or
  - b) does not begin flashing within one second of switching on, or
  - c) flashes:
    - i. faster than two flashes per second, or

- ii. slower than one flash per second, or
- iii. at a different rate from other lamps on the same side.

17. When switched on, a direction indicator lamp emits a light that is:

- a) not substantially white or amber to the front, or
- b) not substantially amber or red to the rear, or
- c) not substantially amber to the side, or
- d) not approximately equal in colour or intensity from the other lamp in a pair, or
- e) not bright enough to be visible from 100m in normal daylight and from 200m in normal darkness, eg due to modification, deterioration, dirt or an incorrect light source, or
- f) too bright causing significant dazzle to other road users, eg due to an incorrect light source, or
- g) altered, eg due to damage or modification.

18. A non-OE mandatory lamp mounted outside the original position emits a light that is not visible within (Figure 4-5-1):

- a) 15° above and below the horizontal, or
- b) 45° inboard or 80° outboard.

19. An overlay has been applied that reduces or distorts the light emitted from the lamp (eg a tinted cover).

20. A modification to the vehicle has reduced the visibility angles of a mandatory lamp to less than (Figure 4-5-1):

- a) 15° above and below the horizontal, or
- b) 45° inboard or 80° outboard.

21. On a vehicle of American origin fitted with combined stop and indicator lamps, the stop lamp function is not overridden by the indicator function.

22. Where a lamp comprises an array of light sources (eg LEDs), fewer than 75% of these operate.

23. A visual lamp indicator device does not operate.

### Note 1 Definitions

**Modify** means to change a vehicle from its original state by altering, substituting, adding or removing a structure, system, component or equipment, but does not include repair.

**Repair** means to restore a damaged or worn vehicle, its structure, systems, components or equipment to within safe tolerance of its condition when manufactured, including replacement with undamaged or new structures, systems, components or equipment.

**Direction indicator lamp** means a lamp designed to emit a flashing light to signal the intention of the driver to change the direction of the vehicle to the right or to the left.

### Note 2

A permitted (ie non-mandatory) rear or a non-OE side-facing direction indicator lamp that does not comply with equipment, condition and performance requirements must be made to comply or disabled so that it does not emit a light.

**Note 3**

An **original equipment (OE) lamp** is one that is fitted by the vehicle manufacturer in the original position, or is an equivalent replacement or aftermarket lamp suitable for the position provided by the vehicle manufacturer for that lamp. All other lamps are considered retrofitted (ie non-OE).

**Note 4**

Vehicles first registered in New Zealand before 27 February 2005 may have rear direction indicator lamps that also function as reversing lamps.

**Note 5**

A vehicle originally manufactured with a direction indicator lamp arrangement that differs from what is required or permitted in this section may retain the original direction indicator lamps provided they remain fitted in their original position and perform as intended by the vehicle manufacturer.

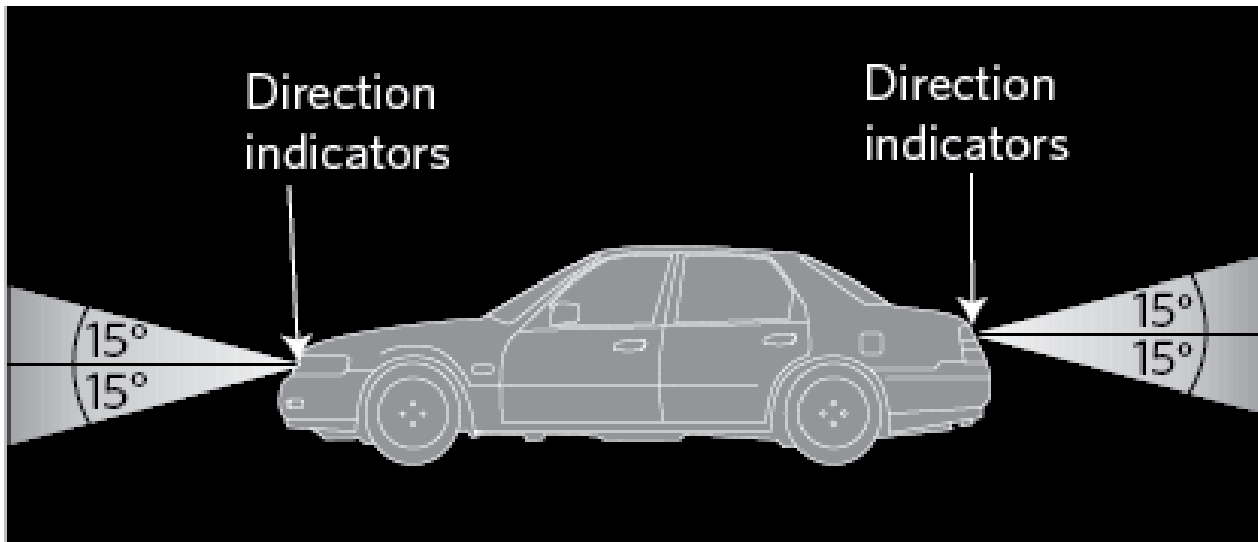
**Note 6**

A forward-facing permitted lamp that does not comply with the equipment, condition and performance requirements must be made to comply or be removed from the vehicle.

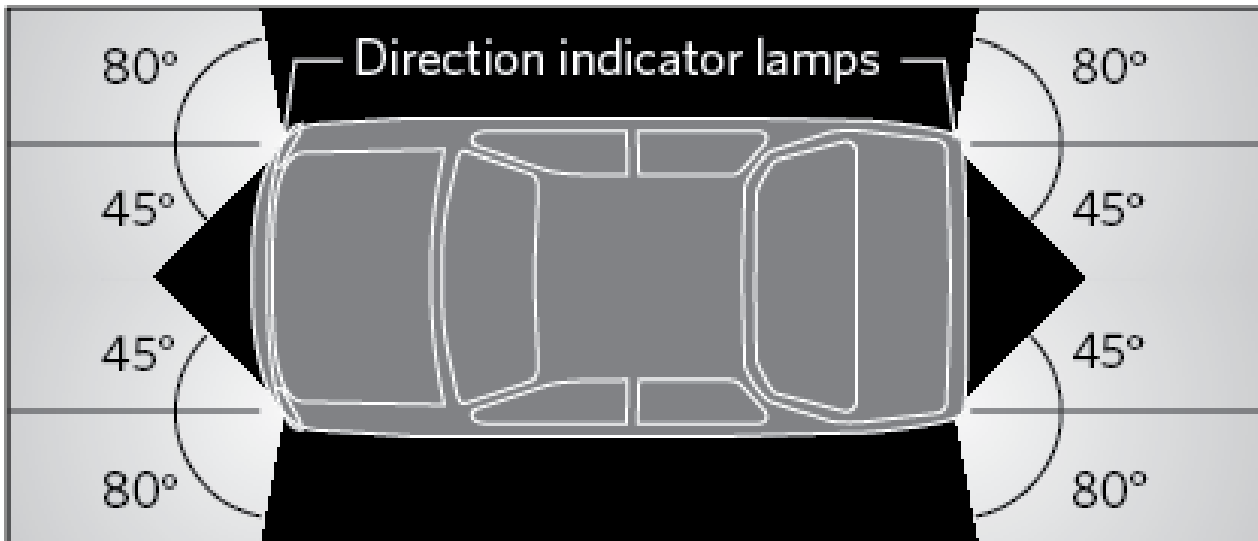
**Note 7**

Some vehicles are equipped with OE or after-market daytime running lamps (DRLs) that also incorporate position lamp and direction indicator lamp functions. When the DRLs are on (when headlamps are off), and an indicator lamp is activated, the corresponding DRL is temporarily extinguished or dimmed. When the position lamps are on and an indicator lamp is activated, the corresponding position lamp may remain lit.

Figure 4-5-1. Direction indicator beam angles



(a) Vertical beam angles



(b) Horizontal beam angles

## Summary of legislation

### Applicable legislation

- [Land Transport Rule: Vehicle Lighting 2004.](#)

## **Mandatory and permitted equipment**

1. A vehicle other than class LE first registered anywhere before 1 July 1967 may be fitted with one or two pairs of lamps to the front and one or two pairs of lamps to the rear of the vehicle.
2. A vehicle other than class LE first registered anywhere on or after 1 July 1967 must be fitted with one or two pairs of lamps to the front and one or two pairs of lamps to the rear of the vehicle.
3. A vehicle of class LE first registered in New Zealand before 1 January 1978 may be fitted with one pair of lamps to the front and one pair of lamps to the rear of the vehicle.
4. A vehicle of class LE first registered in New Zealand on or after 1 January 1978 must be fitted with one or two pairs of lamps to the front and one or two pairs of lamps to the rear of the vehicle.
5. An emergency vehicle may be fitted with an additional pair of indicator lamps at the rear of the vehicle that must be symmetrically mounted as near to the top corners of the bodywork of the vehicle as is practicable (top-mounted lamps).
6. A vehicle may be fitted with one or two side-facing lamps on each side.
7. A suitable device must be fitted that indicates to the driver the failure of a mandatory lamp.
8. A vehicle (eg a vintage or veteran vehicle) manufactured without lamps, or with lamps that cannot meet specified requirements, may obtain a WoF if:
  - a) the vehicle has a valid vehicle identity card with a lighting equipment endorsement, and
  - b) the vehicle meets the conditions of that endorsement.
9. A retrofitted pair of lamps, other than top-mounted lamps, must be mounted:
  - a) symmetrically as far towards each side of the vehicle as is practicable, and
  - b) at a height from the ground not exceeding 1.5 m, or if this is not practicable due to the shape of the bodywork of the vehicle, not exceeding 2.1 m.
10. On vehicles of American origin, the stop lamp and direction indicator lamp function may be combined in one lamp.

## **Condition**

11. A direction indicator lamp must:
  - a) be in sound condition, and
  - b) not be obscured (if a mandatory lamp).

## **Performance**

12. A direction indicator lamp must operate in a way that is appropriate for the lamp and the vehicle.
13. A direction indicator lamp must emit a light that is substantially:
  - a) white or amber to the front, and
  - b) red or amber to the rear, and
  - c) amber to the side.
14. A lamp must flash at a fixed frequency in the range of 1–2 Hertz.
15. Each lamp in a pair must, when operated, emit a light of approximately equal intensity, colour and frequency.
16. The lamp-failure indicating device must function.

17. A lamp must emit a light that is visible from 100m during normal daylight and 200m in normal darkness.
18. A retrofitted mandatory lamp must emit a light that is visible within angles of
- a) 15° above and below the horizontal, and
  - b) 45° inboard, and
  - c) 80° outboard.
19. If a vehicle of American origin is fitted with combined stop and indicator lamps, the indicator lamps must override the stop lamps so that the stop lamps operate as direction indicators.
20. Where a lamp comprises an array of light sources (eg LEDs), at least 75% of these must operate.

#### Modifications (Note 1)

21. A direction indicator lamp that is affected by a modification must meet equipment, condition and performance requirements.

Page amended **2 December 2019** (see [amendment details](#)).

## 4-6 Forward-facing position lamps

### Reasons for rejection

#### Mandatory and permitted equipment

1. One pair of lamps is not fitted to:
  - a) a vehicle first registered in New Zealand on or after 1 January 1978 that exceeds 1.5m in width, or
  - b) a vehicle that exceeds 2m in width.
2. A vehicle is fitted with more than:
  - a) one pair of lamps, or
  - b) two single lamps.
3. A vehicle (eg a vintage or veteran vehicle) does not meet standard forward-facing position lamp requirements, and:
  - a) does not have a valid vehicle identity card with a lighting equipment endorsement, or
  - b) does not meet the conditions of the lighting equipment endorsement in its vehicle identity card.
4. A retrofitted lamp is mounted at a height from the ground exceeding 1.5m (or 2.1m where fitting below 1.5m is not practicable due to the shape of the bodywork of the vehicle).
5. A retrofitted pair of lamps is:
  - a) not symmetrically mounted, or
  - b) not mounted as far towards each side of the vehicle as is practicable.

#### Condition

6. A lamp is insecure or, if a mandatory lamp, contains moisture in the form of large droplets, runs or puddles.
7. A lens is missing, or has a hole, crack or other damage that allows moisture or dirt to enter.

8. A lamp's reflector is damaged or has deteriorated so that light output is reduced.

### Performance

9. When switched on, a forward-facing position lamp does not operate (Note 5).

10. When switched on, a forward-facing position lamp emits a light that is:

- a) not substantially white or amber, or
- b) not diffuse, or
- c) not projected to the front, or
- d) not approximately equal in colour or intensity from the other lamp in a pair, or
- e) not steady, or
- f) not bright enough to be visible from 200m in normal darkness, eg due to modification, deterioration, dirt or an incorrect light source, or
- g) is altered, eg due to damage or modification.

11. A non-OE mandatory lamp mounted outside the original position emits a light that is not visible within (Figure 4-6-1):

- a) 15° above and below the horizontal, or
- b) 45° inboard or 80° outboard.

12. A modification to the vehicle has reduced the visibility angles of a mandatory lamp to less than (Figure 4-6-1):

- a) 15° above and below the horizontal, or
- b) 45° inboard or 80° outboard.

13. An overlay has been applied that reduces or distorts the light emitted from the lamp (eg a tinted cover).

14. Where a lamp comprises an array of light sources (eg LEDs), fewer than 75% of these operate.

### Note 1 Definitions

**Modify** means to change a vehicle from its original state by altering, substituting, adding or removing a structure, system, component or equipment, but does not include repair.

**Repair** means to restore a damaged or worn vehicle, its structure, systems, components or equipment to within safe tolerance of its condition when manufactured, including replacement with undamaged or new structures, systems, components or equipment.

**Position lamp** means a low-intensity lamp that is designed to indicate to road users the presence and dimensions of a vehicle, being:

- a) a forward-facing position lamp (front side lamp), or
- b) a rearward-facing position lamp (rear side lamp or tail lamp), or
- c) a side-marker lamp, or
- d) an end-outline marker lamp (including cab roof lamp).

**Note 2**

An **original equipment (OE) lamp** is one that is fitted by the vehicle manufacturer in the original position, or is an equivalent replacement or aftermarket lamp suitable for the position provided by the vehicle manufacturer for that lamp. All other lamps are considered retrofitted (ie non-OE).

**Note 3**

A vehicle originally manufactured with a forward-facing position lamp arrangement that differs from what is required or permitted in this section may retain the original forward-facing position lamps provided they remain fitted in their original position and perform as intended by the vehicle manufacturer.

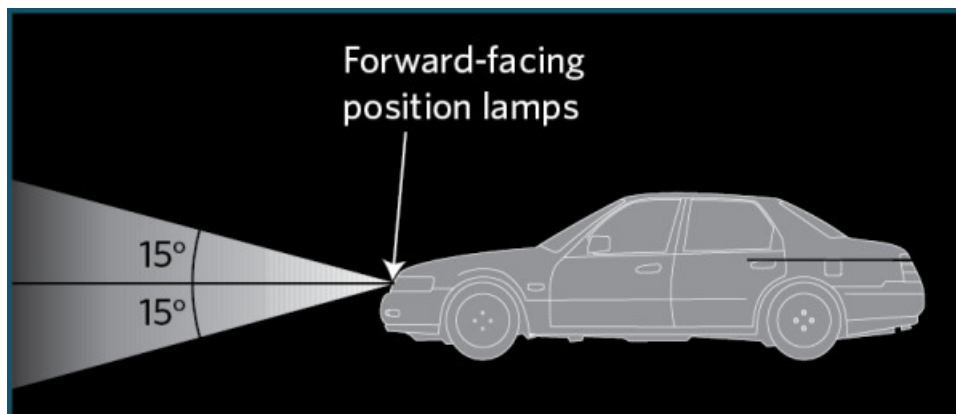
**Note 4**

A forward-facing permitted lamp that does not comply with the equipment, condition and performance requirements must be made to comply or be removed from the vehicle.

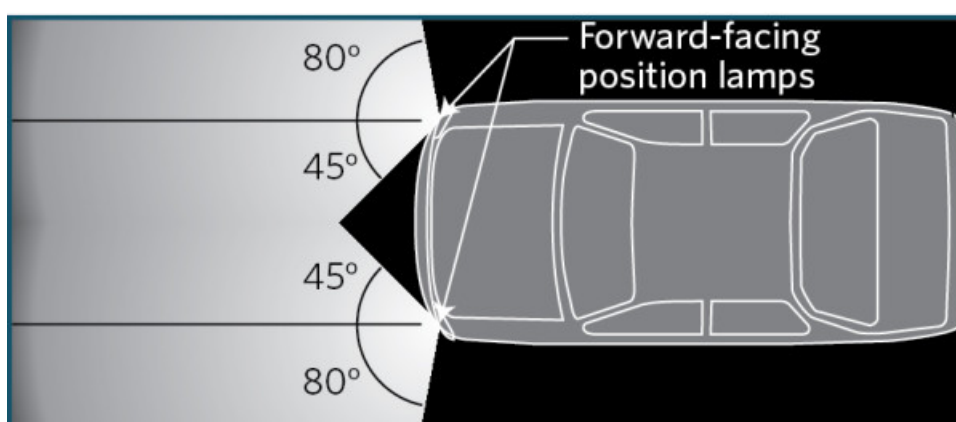
**Note 5**

Some vehicles are equipped with OE or after-market daytime running lamps (DRLs) that also incorporate position lamp and direction indicator lamp functions. When the DRLs are on (when headlamps are off), and an indicator lamp is activated, the corresponding DRL is temporarily extinguished or dimmed. When the position lamps are on and an indicator lamp is activated, the corresponding position lamp may remain lit.

Figure 4-6-1. Forward-facing position lamp beam angles



(a) Vertical beam angles



(b) Horizontal beam angles

## Summary of legislation

### Applicable legislation

- [Land Transport Rule: Vehicle Lighting 2004](#).

### Mandatory and permitted equipment

1. One pair of lamps must be fitted to:

- a) a vehicle first registered in New Zealand on or after 1 January 1978 that exceeds 1.5m in width
- b) a vehicle that exceeds 2m in width.

2. One or two lamps may be fitted to:

- a) a vehicle that does not exceed 1.5m in width
- b) a vehicle first registered in New Zealand before 1 January 1978 that does not exceed 2m in width.

3. A vehicle (eg a vintage or veteran vehicle) manufactured without lamps, or with lamps that cannot meet specified requirements, may obtain a WoF if:

- a) the vehicle has a valid vehicle identity card with a lighting equipment endorsement, and

b) the vehicle meets the conditions of that endorsement.

4. A retrofitted pair of lamps must be symmetrically mounted as far towards each side of the vehicle as is practicable.

5. A retrofitted lamp must be mounted at a height from the ground not exceeding 1.5m, or if this is not practicable due to the shape of the bodywork of the vehicle, not exceeding 2.1m.

### **Condition**

6. A forward-facing position lamp must:

a) be in sound condition

b) not be obscured (if a mandatory lamp).

### **Performance**

7. A forward-facing position lamp must operate in a way that is appropriate for the lamp and the vehicle.

8. A lamp must emit a light that is:

a) diffuse, and

b) substantially white or amber, and

c) steady, and

d) sufficient to indicate to other road users the presence and dimensions of the vehicle, and

e) visible from 200m in normal darkness, and

f) of approximately equal intensity and colour to the other lamp of a pair.

9. A retrofitted mandatory lamp must be visible within angles of:

a) 15° above and below the horizontal, and

b) 45° inboard, and

c) 80° outboard.

10. Where a lamp comprises an array of light sources (eg LEDs), at least 75% of these must operate.

### **Modifications (Note 1)**

11. A forward-facing position lamp that is affected by a modification must meet the equipment, condition and performance requirements.

Page amended **2 December 2019** (see [amendment details](#)).

## **4-7 Rearward-facing position lamps**

### **Reasons for rejection**

#### **Mandatory and permitted equipment**

1. A vehicle first registered in New Zealand on or after 1 January 1978 that is more than 1.5m wide:

a) is not fitted with one pair of lamps, or

- b) is fitted with more than two pairs of lamps, or
  - c) is fitted with a lamp that is not in a pair, or
  - d) is an emergency vehicle and is fitted with more than three pairs of lamps, including top-mounted lamps.
2. A group M or N vehicle first registered in New Zealand before 1 January 1978 or is less than 1.5m wide is:
- a) not fitted with one single lamp or one pair of lamps, or
  - b) fitted with more than one single lamp, or
  - c) fitted with more than two pairs of lamps.
3. An emergency vehicle is fitted with:
- a) more than one pair of top-mounted lamps, or
  - b) top-mounted lamps that are not mounted as close as is practicable to the top corners of the bodywork.
4. A class LE vehicle that was first registered in New Zealand before 1 January 1978 or that is less than 1.5m wide is not fitted with at least one lamp.
5. A vehicle (eg a vintage or veteran vehicle) does not meet standard rearward-facing position lamp requirements, and:
- a) does not have a valid vehicle identity card with a lighting equipment endorsement, or
  - b) does not meet the conditions of the lighting equipment endorsement in its vehicle identity card.
6. A retrofitted lamp, other than a top-mounted lamp on an emergency vehicle, is mounted at a height from the ground exceeding 1.5m (or 2.1m where fitting below 1.5m is not practicable due to the shape of the bodywork of the vehicle).
7. A retrofitted pair of lamps:
- a) is not symmetrically mounted, or
  - b) is not mounted as far towards each side of the vehicle as is practicable.

### **Condition**

- 8. A lamp is insecure or, if a mandatory lamp, contains moisture in the form of large droplets, runs or puddles.
- 9. A lens is missing, or has a hole, crack or other damage that allows moisture or dirt to enter.
- 10. A lamp's reflector is damaged or has deteriorated so that light output is reduced.

### **Performance**

- 11. When switched on, a mandatory lamp does not operate.
- 12. When switched on, a lamp emits a light that is:
  - a) not substantially red, or
  - b) not diffuse, or
  - c) not projected to the rear, or
  - d) not approximately equal in colour or intensity from that of the other lamp in a pair, or
  - e) not steady, or

f) not bright enough to be visible from 200m in normal darkness, eg due to modification, deterioration, dirt or an incorrect light source, or

g) is altered, eg due to damage or modification.

13. A non-OE mandatory lamp mounted outside the original position emits a light that is not visible within (Figure 4-7-1):

a) 15° above and below the horizontal, or

b) 45° inboard or 80° outboard.

14. A modification to the vehicle has reduced the visibility angles of a mandatory lamp to less than (Figure 4-7-1):

a) 15° above and below the horizontal, or

b) 45° inboard or 80° outboard.

15. An overlay has been applied that reduces or distorts the light emitted from the lamp (eg a tinted cover).

16. Where a lamp comprises an array of light sources (eg LEDs), fewer than 75% of these operate.

### Note 1 Definitions

**Modify** means to change a vehicle from its original state by altering, substituting, adding or removing a structure, system, component or equipment, but does not include repair.

**Repair** means to restore a damaged or worn vehicle, its structure, systems, components or equipment to within safe tolerance of its condition when manufactured, including replacement with undamaged or new structures, systems, components or equipment.

**Position lamp** means a low-intensity lamp that is designed to indicate to road users the presence and dimensions of a vehicle, being:

a) a forward-facing position lamp (front side lamp), or

b) a rearward-facing position lamp (rear side lamp or tail lamp), or

c) a side-marker lamp, or

d) an end-outline marker lamp (including cab roof lamp).

### Note 2

A permitted rearward-facing position lamp that does not comply with equipment, condition and performance requirements must be made to comply or be disabled so that it does not emit a light.

### Note 3

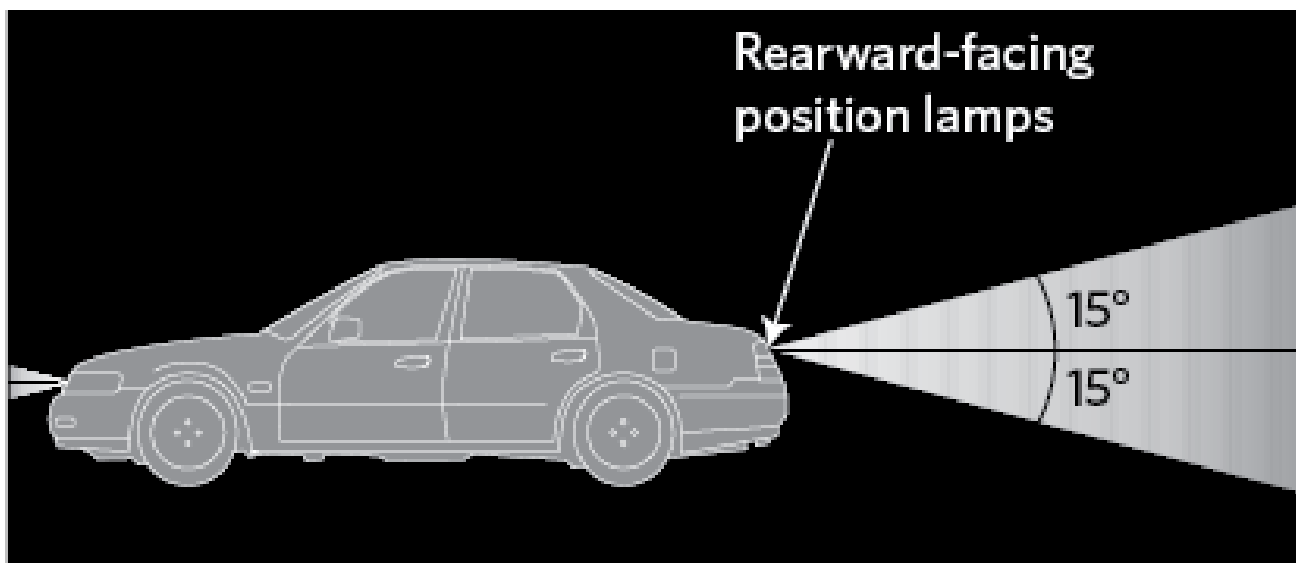
An original equipment (OE) lamp is one that is fitted by the vehicle manufacturer in the original position, or is an equivalent replacement or aftermarket lamp suitable for the position provided by the vehicle manufacturer for that lamp. All other lamps are considered retrofitted (ie non-OE).

### Note 4

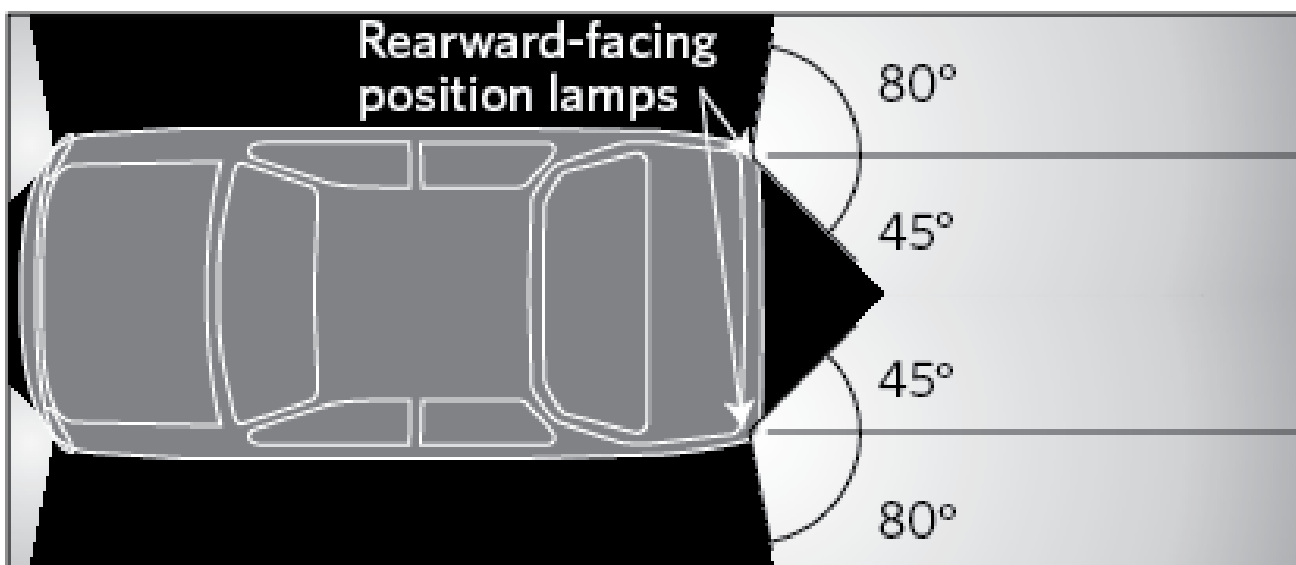
A vehicle originally manufactured with a rearward-facing position lamp arrangement that differs from what is required or permitted in this section may retain the original rearward-facing position lamps provided they remain fitted in their

original position and perform as intended by the vehicle manufacturer.

Figure 4-7-1. Rearward-facing position lamp beam angles



(a) Vertical beam angles



(b) Horizontal beam angles

## Summary of legislation

### Applicable legislation

- [Land Transport Rule: Vehicle Lighting 2004](#)

### Mandatory and permitted equipment

1. A vehicle first registered in New Zealand on or after 1 January 1978 and that is more than 1.5m wide must be fitted with one or two pairs of rearward-facing position lamps.

2. A vehicle of group M or N that was first registered in New Zealand before 1 January 1978 or that does not exceed 1.5m in width must be fitted with:
  - a) one single rearward-facing position lamp in the centre or to the right of the centre of the vehicle, or
  - b) one or two pairs of rearward-facing position lamps.
3. A vehicle of class LE that was first registered in New Zealand before 1 January 1978 or that does not exceed 1.5m in width must be fitted with at least one rearward-facing position lamp.
4. An emergency vehicle may be fitted with an additional pair of lamps that must be symmetrically mounted as near the top corners of the bodywork of the vehicle as is practicable (top-mounted lamps).
5. A vehicle (eg a vintage or veteran vehicle) manufactured without lamps, or with lamps that cannot meet specified requirements, may obtain a WoF if:
  - a) the vehicle has a valid vehicle identity card with a lighting equipment endorsement, and
  - b) the vehicle meets the conditions of that endorsement.
6. A retrofitted pair of lamps, other than top-mounted lamps, must be mounted:
  - a) symmetrically as far towards each side of the vehicle as is practicable, and
  - b) at a height from the ground not exceeding 1.5m, or if this is not practicable due to the shape of the bodywork of the vehicle, not exceeding 2.1m.

### **Condition**

7. A rearward-facing position lamp must:
  - a) be in sound condition, and
  - b) not be obscured (if a mandatory lamp).

### **Performance**

8. A rearward-facing position lamp must operate in a way that is appropriate for the lamp and the vehicle.
9. A lamp must emit a light that is:
  - a) diffuse, and
  - b) substantially red.
10. A lamp must emit a steady light.
11. A lamp must provide sufficient light output to indicate to other road users the presence and dimensions of the vehicle.
12. A lamp must emit light that is visible from a distance of 200m in normal darkness.
13. A retrofitted mandatory lamp must be visible within angles of 15° above and below the horizontal, and within 45° inboard and 80° outboard.
14. Each lamp in a pair must, when operated, emit a light of approximately equal intensity and colour.
15. Where a lamp comprises an array of light sources (eg LEDs), at least 75% of these must operate.

## Modifications (Note 4)

16. A rearward-facing position lamp that is affected by a modification must meet equipment, condition and performance requirements.

Page amended **2 December 2019** (see [amendment details](#)).

## 4-8 Side-marker lamps

### Reasons for rejection

#### Permitted and prohibited equipment

1. A side-marker lamp is not positioned so that it gives an indication of the vehicle's dimensions.
2. A vehicle less than 6m in length is fitted with a side-marker lamp, **unless the vehicle is a production vehicle and the lamp is fitted as original equipment by the vehicle manufacturer.**
3. A vehicle manufactured **before 1 January 2006** has a forward-facing side-marker lamp that emits light that is not substantially white or amber.
4. A vehicle manufactured **on or after 1 January 2006** has a forward-facing side-marker lamp that emits light that is not substantially amber.

#### Condition

5. A lamp is insecure.
6. A lens is missing, or has a hole, crack or other damage that allows moisture or dirt to enter.
7. A reflector is damaged or has deteriorated so that light output is reduced.

#### Performance

8. When switched on, a side-marker lamp emits a light that:
  - a) is not substantially white or amber to the front, or
  - b) is not substantially red or amber to the rear, or
  - c) is not diffuse, or
  - d) is not approximately of the same colour and intensity on each side of the vehicle, or
  - e) does not remain steadily illuminated, or
  - f) is not bright enough to produce light that is visible from 100m in normal daylight and from 200m in normal darkness, eg due to modification, deterioration, dirt or an incorrect light source.
9. Where a lamp comprises an array of light sources (eg LEDs), fewer than 75% of these operate.

#### Modifications

9. A side-marker lamp that is affected by a modification must meet equipment, condition and performance requirements.

### Note 1 Definitions

**Side-marker lamp** means a position lamp designed to be fitted to the side of a vehicle or its load.

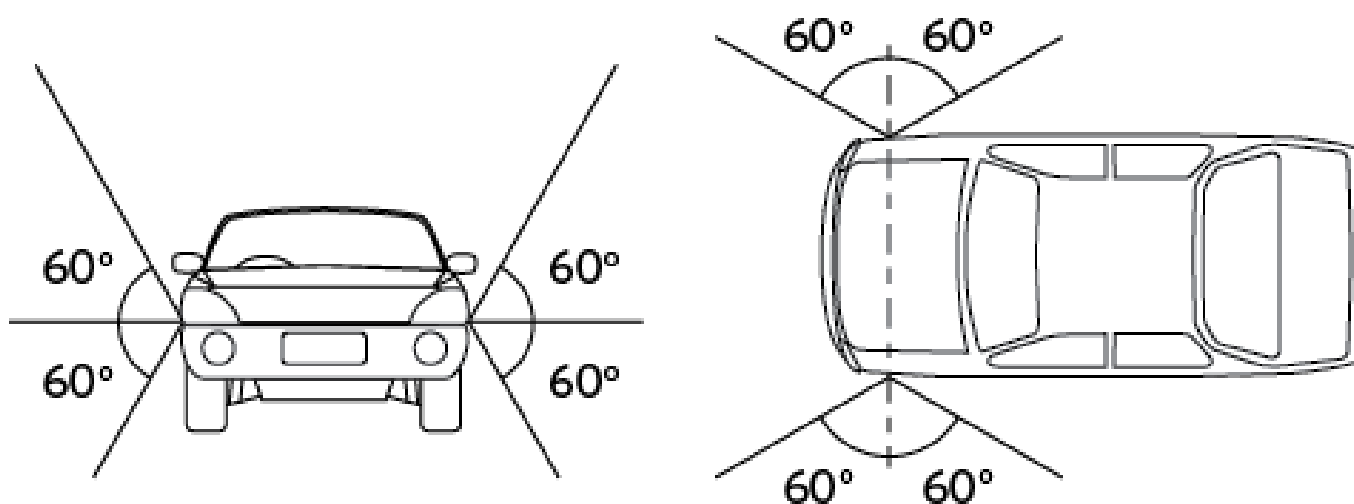
**Position lamp** means a low-intensity lamp that is designed to indicate to road users the presence and dimensions of a vehicle, being:

- a) a forward-facing position lamp (front side lamp), or
- b) a rearward-facing position lamp (rear side lamp or tail lamp), or
- c) a side-marker lamp, or
- d) an end-outline marker lamp (including cab roof lamp).

### Note 2

A permitted side-marker lamp that does not comply with equipment, condition and performance requirements must be made to comply or be disabled so that it does not emit a light.

Figure 4-8-1. Visibility angles for side marker lamps



## Summary of legislation

### Applicable legislation

- [Land Transport Rule: Vehicle Lighting 2004](#).

### Permitted and prohibited equipment

1. A light vehicle 6m or more in length may be fitted with one or more side-marker lamps.
2. A side-marker lamp must be positioned so that it gives an indication of the vehicle's dimensions.
3. A light vehicle less than 6m in length must not be fitted with a side-marker lamp, unless the vehicle is a production vehicle and the lamp is fitted as original equipment by the vehicle manufacturer.

4. The light emitted from a forward-facing side-marker lamp on a vehicle manufactured **before 1 January 2006** is not substantially white or amber.
5. The light emitted from a forward-facing side-marker lamp on a vehicle manufactured **on or after 1 January 2006** is not substantially amber.

#### **Condition**

6. A side-marker lamp must be in sound condition.

#### **Performance**

7. A side-marker lamp must operate in a way that is appropriate for the lamp and the vehicle.
8. A lamp must emit a light that is:
  - a) diffuse, and
  - b) substantially white or amber to the front, and
  - c) substantially red or amber to the rear.
7. A lamp must emit a steady light.
9. A side-marker lamp must provide sufficient light output to indicate to other road users the presence and dimensions of the vehicle.
10. A side-marker lamp must emit a light that is visible from a distance of 100m in daylight and 200m during the hours of darkness.
11. Where a lamp comprises an array of light sources (eg LEDs), at least 75% of these must operate.

#### **Modifications**

12. A side-marker lamp that is affected by a modification must meet equipment, condition and performance requirements.

Page amended **1 December 2016** (see [amendment details](#)).

## **4-9 End-outline marker lamps**

### **Reasons for rejection**

#### **Permitted and prohibited equipment**

1. A light vehicle with an overall width of 1.8m or more is fitted with:
  - a) more than four forward-facing lamps, or
  - b) more than two rearward-facing lamps.
2. A light vehicle with an overall width of less than 1.8m is fitted with end-outline marker lamps.
3. The lamps are not positioned in such a way that they give an indication of the vehicles dimensions.

#### **Condition**

4. A lamp is insecure.

5. A lens is missing, or has a hole, crack or other damage that allows moisture or dirt to enter.
6. A reflector is damaged or has deteriorated so that light output is reduced.

### Performance

7. When switched on, a forward-facing end-outline marker lamp does not operate (Note 2).
8. When switched on, an end-outline marker lamp emits a light that is:
  - a) not substantially white or amber to the front, or
  - b) not substantially red to the rear, or
  - c) not diffuse, or
  - d) not projected to the front or rear, or
  - e) not approximately of the same colour or intensity as the other lamp if fitted in a pair, or
  - f) not steady, or
  - g) not bright enough to indicate the presence and dimensions of the vehicle to other road users.
9. Where a lamp comprises an array of light sources (eg LEDs), fewer than 75% of these operate.

### Note 1 Definitions

**End-outline marker lamp** means a position lamp designed to be fitted near the outer extremity of the vehicle in addition to forward-facing and rearward-facing position lamps, and includes a cab roof lamp.

**Position lamp** means a low-intensity lamp that is designed to indicate the presence and dimensions of a vehicle to other road users, being:

- a) a forward-facing position lamp (front side or park lamp), or
- b) a rearward-facing position lamp (rear side lamp or tail lamp), or
- c) a side-marker lamp, or
- d) an end-outline marker lamp (including cab roof lamp).

### Note 2

A rearward-facing end-outline marker lamp that does not comply with the equipment, condition and performance requirements, must be made to comply or be disabled so that it does not emit a light. A non-complying forward-facing end-outline marker lamp must be made to comply or be fully removed from the vehicle.

### Note 3

A vehicle originally manufactured with an end-outline marker lamp arrangement that differs from what is required or permitted in this section may retain the original end-outline marker lamps provided they remain fitted in their original position and perform as intended by the vehicle manufacturer. Lamps visible from the front and from the rear on the same side of the vehicle may be combined into one device.

#### Note 4

**Vehicle manufacturer** means the original vehicle manufacturer and the final stage manufacturer in the case of certain modified vehicles (see [Technical bulletin 13: Acceptable overseas proof of modification](#)).

## Summary of legislation

### Applicable legislation

- [Land Transport Rule: Vehicle Lighting 2004](#).

### Permitted and prohibited equipment

1. A light vehicle that has an overall width of 1.8m or more may be fitted with a maximum of:
  - a) four forward-facing lamps, and
  - b) two rearward-facing lamps.
2. The position of the lamps must be such that it gives an indication of the vehicle's dimensions.
3. A light vehicle with an overall width of less than 1.8m must not be fitted with end-outline marker lamps.

### Condition

4. An end-outline marker lamp must be in sound condition.

### Performance

5. An end-outline marker lamp must operate in a way that is appropriate for the lamp and the vehicle.
6. A lamp must emit a light that is:
  - a) diffuse, and
  - b) substantially white or amber to the front, and
  - c) substantially red to the rear.
7. A lamp must emit a steady light.
8. An end-outline marker lamp must provide sufficient light output to indicate to other road users the presence and dimensions of the vehicle.
9. Where a lamp comprises an array of light sources (eg LEDs), at least 75% of these must operate.

### Modifications

10. An end-outline marker lamp that is affected by a modification must meet equipment, condition and performance requirements.

## 4-10 Stop lamps

### Reasons for rejection

#### Mandatory and permitted equipment

1. A class LE vehicle first registered in New Zealand on or after 1 January 1978 is not fitted with one stop lamp.
2. A class LE vehicle is fitted with more than two stop lamps.
3. A group M or N vehicle first registered in New Zealand before 1 January 1978:
  - a) is not fitted with one stop lamp if the vehicle is so constructed that the driver's arm signals cannot be seen from behind the vehicle, or
  - b) is fitted with more than four stop lamps.
4. A group M or N vehicle first registered in New Zealand on or after 1 January 1978 is:
  - a) not fitted with one pair of stop lamps, or
  - b) fitted with more than two pairs of stop lamps, or
  - c) fitted with a stop lamp that is not in a pair, or
  - d) an emergency vehicle and is fitted with more than three pairs of lamps, including top-mounted lamps.
5. An emergency vehicle is fitted with:
  - a) more than one pair of top-mounted lamps, or
  - b) top-mounted lamps that are not mounted as close as is practicable to the top corners of the bodywork.
6. A vehicle (eg vintage or veteran vehicle) does not meet standard stop lamp requirements, and:
  - a) does not have a valid vehicle identity card with a lighting equipment endorsement, or
  - b) does not meet the conditions of the lighting equipment endorsement in its vehicle identity card.
7. A retrofitted stop lamp, other than a top-mounted lamp on an emergency vehicle, is fitted at a height from the ground exceeding 1.5m (or 2.1m where fitting below 1.5m is not practicable due to the shape of the bodywork of the vehicle).
8. A retrofitted pair of lamps is not:
  - a) symmetrically mounted, or
  - b) mounted as far towards each side of the vehicle as is practicable.

#### Condition

9. A lamp is insecure or, if a mandatory lamp, contains moisture in the form of large droplets, runs or puddles.
10. A lens is missing, or has a hole, crack or other damage that allows moisture or dirt to enter.
11. A reflector is damaged or has deteriorated so that light output is reduced.

#### Performance

12. When the service brake is activated:
  - a) a mandatory lamp does not operate, or

b) a lamp does not remain steadily illuminated.

13. A lamp operates when the service brake is not applied.

14. A lamp emits a light that is:

a) not substantially red, or

b) not diffuse, or

c) not projected to the rear, or

d) not approximately equal in intensity from the other lamp in a pair, or

e) not bright enough to produce a light that is visible from 100m in normal daylight, eg due to modification, deterioration, dirt or an incorrect light source, or

f) is altered, eg due to damage or modification.

15. A non-OE mandatory lamp mounted outside the original position emits a light that is not visible within (Figure 4-10-1):

a) 15° above and below the horizontal, or

b) 45° inboard and outboard.

16. A modification to the vehicle has reduced the visibility angles of a mandatory lamp to less than (Figure 4-10-1):

a) 15° above and below the horizontal, or

b) 45° inboard and outboard.

17. An overlay has been applied that reduces or distorts the light emitted from the lamp (eg a tinted cover).

18. Where a lamp comprises an array of light sources (eg LEDs), fewer than 75% of these operate.

19. On a vehicle of American origin fitted with combined stop and direction indicator lamps, the stop lamp function is not overridden by the indicator function.

### Note 1 Definitions

**Modify** means to change a vehicle from its original state by altering, substituting, adding or removing a structure, system, component or equipment, but does not include repair.

**Repair** means to restore a damaged or worn vehicle, its structure, systems, components or equipment to within safe tolerance of its condition when manufactured, including replacement with undamaged or new structures, systems, components or equipment.

**Stop lamp** means a lamp that is designed to operate when the service brake is activated.

### Note 2

A permitted stop lamp that does not comply with equipment, condition and performance requirements must be made to comply or be disabled so that it does not emit a light.

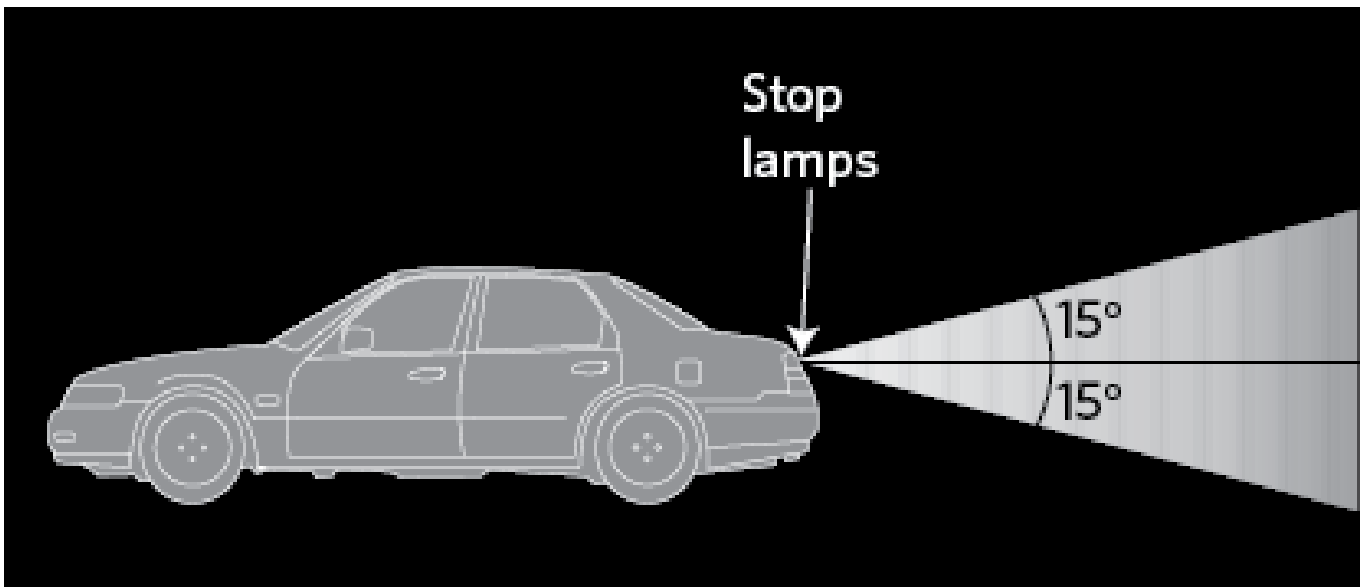
**Note 3**

An original equipment (OE) lamp is one that is fitted by the vehicle manufacturer in the original position, or is an equivalent replacement or aftermarket lamp suitable for the position provided by the vehicle manufacturer for that lamp. All other lamps are considered retrofitted (ie non-OE).

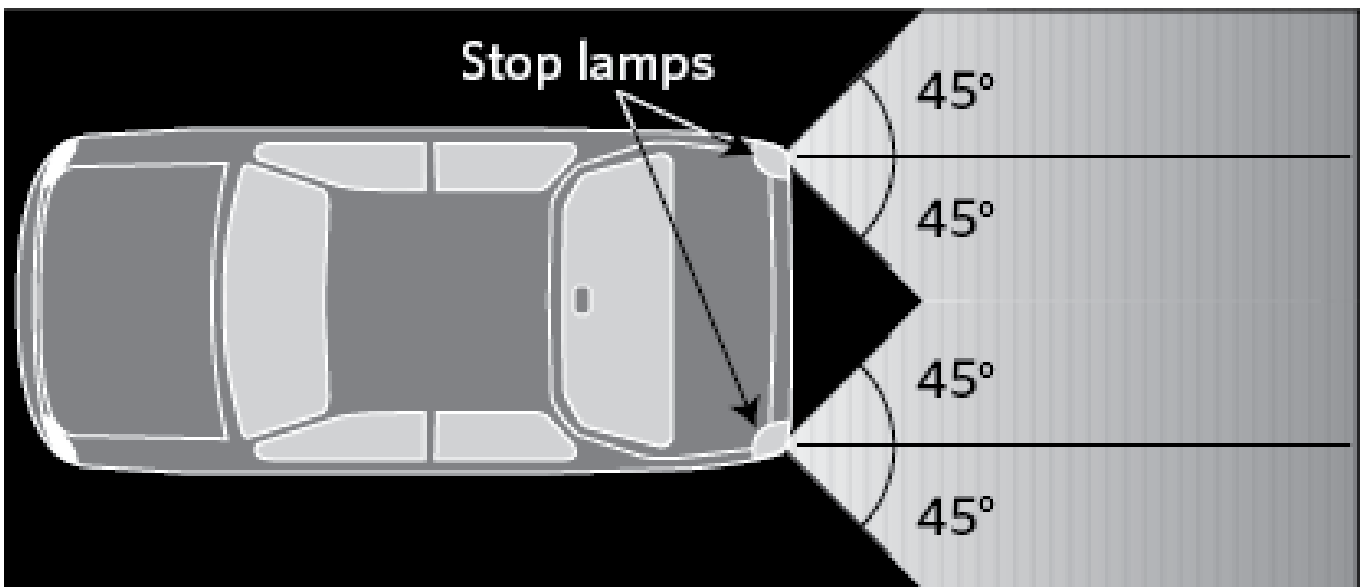
**Note 4**

A vehicle originally manufactured with a stop lamp arrangement that differs from what is required or permitted in this section may retain the original stop lamps provided they remain fitted in their original position and perform as intended by the vehicle manufacturer.

**Figure 4-10-1. Stop-lamp visibility angles**



**(a) Vertical angles**



**(b) Horizontal angles**

# Summary of legislation

## Applicable legislation

- [Land Transport Rule: Vehicle Lighting 2004](#)

## Mandatory and permitted equipment

1. A class LE vehicle:

- a) first registered in New Zealand before 1 January 1978 may be fitted with one or two stop lamps.
- b) first registered in New Zealand on or after 1 January 1978 must be fitted with one or two stop lamps

2. A group M or N vehicle:

a) first registered in New Zealand before 1 January 1978:

- i. may be fitted with one, two or four stop lamps, or
- ii. must be fitted with one, two or four stop lamps if its construction, equipment or loading prevents an arm signal given by the driver from being seen from behind the vehicle.

b) first registered in New Zealand on or after 1 January 1978 must be fitted with one or two pairs of stop lamps that emit a light that is visible from 100m.

3. An emergency vehicle may be fitted with an additional pair of lamps that must be symmetrically mounted as near the top corners of the bodywork of the vehicle as is practicable (top-mounted lamps).

4. A vehicle (eg a vintage or veteran vehicle) manufactured without lamps, or with lamps that cannot meet specified requirements, may obtain a WoF if:

- a) the vehicle has a valid vehicle identity card with a lighting equipment endorsement, and
- b) the vehicle meets the conditions of that endorsement.

5. A retrofitted pair of stop lamps must be symmetrically mounted as far towards each side of the vehicle as is practicable.

6. A retrofitted stop lamp, other than a top-mounted lamp, must be fitted at a height from the ground not exceeding 1.5m, or if this is not practicable due to the shape of the bodywork of the vehicle, not exceeding 2.1m.

7. A vehicle (eg a vintage or veteran vehicle) manufactured without lamps, or with lamps that cannot meet specified requirements, may obtain a WoF if:

- a) the vehicle has a valid vehicle identity card with a lighting equipment endorsement, and
- b) the vehicle meets the conditions of that endorsement.

## Condition

8. A stop lamp must:

- a) be in sound condition, and
- b) not be obscured (if a mandatory lamp).

## Performance

9. A stop lamp must operate in a way that is appropriate for the lamp and the vehicle.
10. The light emitted from a stop lamp must be diffuse light that is substantially red.
11. A required stop lamp must operate when a service brake is activated.
12. A required stop lamp must provide sufficient light output to fulfil its intended purpose.
13. A stop lamp must emit a steady light.
14. A retrofitted mandatory stop lamp must emit a light that is visible within the angles of 15° above and below the horizontal, and 45° inboard and outboard.
15. If a vehicle of American origin is fitted with combined stop and direction indicator lamps, the indicator lamps must override the stop lamps so that the stop lamps will operate as direction indicators.
16. Where a stop lamp comprises an array of light sources (eg LEDs), at least 75% of these must operate.

## Modifications (Note 1)

17. A stop lamp that is affected by a modification must meet equipment, condition and performance requirements.

Page amended **2 December 2019** (see [amendment details](#)).

## 4-11 High-mounted stop lamps

### Reasons for rejection

#### Mandatory and permitted equipment

1. A class MA vehicle first registered or manufactured **on or after 1 January 1990** is not fitted with one high-mounted stop lamp.
2. A vehicle is fitted with more than two high-mounted stop lamps.
3. A lamp is not fitted in a central high-mounted position.
4. A lamp fitted to a group M or N vehicle, except one that does not have a rear window, or that does not have a rear window visible from the rear, has an illuminated surface that is lower than 150mm below the bottom edge of the rear window.
5. A vehicle (eg a vintage or veteran vehicle) does not meet standard stop lamp requirements, and:
  - a) does not have a valid vehicle identity card with a lighting equipment endorsement, or
  - b) does not meet the conditions of the lighting equipment endorsement in its vehicle identity card.

#### Condition

6. A lamp is insecure.
7. A mandatory lamp (Note 2) is obscured, or contains moisture in the form of large droplets, runs or puddles.
8. A lens is missing, or has a hole, crack or other damage that allows moisture or dirt to enter.
9. A reflector is damaged or has deteriorated so that light output is reduced.

## Performance

10. When the service brake is activated:
  - a) a mandatory (Note 2) lamp does not operate, or
  - b) a lamp does not remain steadily illuminated.
11. A lamp operates when the service brake is not activated.
12. A lamp emits a light that is not:
  - a) substantially red, or
  - b) diffuse, or
  - c) projected to the rear, or
  - d) bright enough to be visible from 100m in normal daylight, eg due to modification, deterioration, dirt or an incorrect light source
13. Where a lamp comprises an array of light sources (eg LEDs), fewer than 75% of these operate.

## Note 1 Definitions

**High-mounted stop lamp** means a stop lamp that is designed to be fitted in a central, high-mounted position at the rear of a vehicle.

**Stop lamp** means a lamp that is designed to operate when the service brake is activated.

## Note 2

**Mandatory lamp** – the vehicle must have one high-mounted stop lamp that meets the equipment, condition and performance requirements. Any other high-mounted stop lamp is a permitted lamp. The permitted lamp is not required to operate, but if it does operate, it must meet the equipment, condition and performance requirements, although it may be obscured.

## Note 3

A vehicle originally manufactured with a high-mounted stop lamp arrangement that differs from what is required or permitted in this section may retain the original high-mounted stop lamps provided they remain fitted in their original position and perform as intended by the vehicle manufacturer.

## Summary of legislation

### Applicable legislation

- [Land Transport Rule: Vehicle Lighting 2004](#).

### Mandatory and permitted equipment

1. A class MA vehicle first registered or manufactured **on or after 1 January 1990** must be fitted with one or two high-mounted stop lamps.

2. Any other vehicle may be fitted with one or two high-mounted stop lamps.
3. A lamp on a group M or N vehicle must be fitted in a central high-mounted position at the rear of the vehicle.
4. No part of a lamp's illuminated surface must be lower than 150mm below the bottom edge of the rear window, except where there is no rear window fitted or visible from behind the vehicle.
5. A vehicle (eg a vintage or veteran vehicle) manufactured without lamps, or with lamps that cannot meet specified requirements, may obtain a WoF if:
  - a) the vehicle has a valid vehicle identity card with a lighting equipment endorsement, and
  - b) the vehicle meets the conditions of that endorsement.

### **Condition**

6. A high-mounted stop lamp must be in good condition.
7. At least one high-mounted stop lamp must not be obscured.

### **Performance**

8. A high-mounted stop lamp must operate in a way that is appropriate for the lamp and the vehicle.
9. The light emitted from a high-mounted stop lamp must be diffuse light that is substantially red.
10. A high-mounted stop lamp must emit a steady light.
11. At least one unobscured lamp must operate when the vehicle's service brakes are activated.
12. Where a high-mounted stop lamp comprises an array of light sources (eg LEDs), at least 75% of these must operate.

### **Modifications**

13. An overlay has been applied that reduces or distorts the light emitted from the lamp (eg a tinted cover).
14. A high-mounted stop lamp that is affected by a modification:
  - a) must meet equipment, condition and performance requirements, and
  - b) does not require LVV specialist certification.

Page amended **2 December 2019** (see [amendment details](#)).

## **4-12 Rear-reg.-plate illumination lamps**

### **Reasons for rejection**

#### **Mandatory equipment**

1. A vehicle is not fitted with at least one rear-registration-plate illumination lamp.
2. A vehicle (eg a vintage or veteran vehicle) does not meet standard rear-registration-plate illumination lamp requirements, and:
  - a) does not have a valid vehicle identity card with a lighting equipment endorsement, or

b) does not meet the conditions of the lighting equipment endorsement in its vehicle identity card.

### Condition

3. A lamp is insecure.

4. A lens is missing, or has a hole, crack or other damage that allows moisture or dirt to enter.

5. A reflector, or lens, is damaged or has deteriorated so that light output is reduced.

### Performance

6. The lamp emits a light that is not:

a) substantially white, or

b) steady, or

c) diffuse.

7. The lamp does not illuminate the registration plate (eg either the lamp or plate have been moved, or the lamps orientation has been changed).

8. The light source of a lamp is visible from the rear of the vehicle.

9. An overlay has been applied that reduces or distorts the light emitted from the lamp (eg a tinted cover).

### Note 1 Definitions

**Rear-registration-plate illumination lamp** means a lamp designed to illuminate the rear registration plate of a vehicle.

**Modify** means to change a vehicle from its original state by altering, substituting, adding or removing a structure, system, component or equipment, but does not include repair.

**Repair** means to restore a damaged or worn vehicle, its structure, systems, components or equipment to within safe tolerance of its condition when manufactured, including replacement with undamaged or new structures, systems, components or equipment.

### Note 2

A vehicle originally manufactured with a rear-registration-plate illumination lamp arrangement that differs from what is required or permitted in this section may retain the original rear-registration-plate illumination lamps provided they remain fitted in their original position and perform as intended by the vehicle manufacturer.

## Summary of legislation

### Applicable legislation

- [Land Transport Rule: Vehicle Lighting 2004.](#)

### Mandatory equipment

1. At least one rear-registration-plate illumination lamp.

2. A vehicle (eg a vintage or veteran vehicle) manufactured without lamps, or with lamps that cannot meet specified requirements, may obtain a WoF if:

- a) the vehicle has a valid vehicle identity card with a lighting equipment endorsement, and
- b) the vehicle meets the conditions of that endorsement.

### **Performance**

- 3. A rear-registration-plate illumination lamp must operate in a way that is appropriate for the lamp and the vehicle.
- 4. A lamp must emit a diffuse light that is substantially white.
- 5. A rear-registration-plate illumination lamp must emit a steady light.
- 6. The light source of the lamp must not be visible from the rear of the vehicle.
- 7. A lamp must illuminate the figures and letters of the plate so that they are visible from 20m during normal darkness.
- 8. Where a lamp comprises an array of light sources (eg LEDs), at least 75% of these must operate.

### **Modifications**

9. A rear-registration-plate illumination lamp that is affected by a modification must meet equipment, condition and performance requirements.

Page amended 1 October 2021 (see [amendment details](#)).

## **4-13 Rear-reflectors**

### **Mandatory and permitted equipment**

- 1. A group M or N vehicle:
  - a) is not fitted with at least one red rearward-facing reflector on each side, or
  - b) is fitted with a red rearward-facing reflector that is not in a pair.
- 2. A class LE vehicle is not fitted with at least one red rearward-facing reflector.
- 3. A reflector is not positioned to the rear of the vehicle.
- 4. A retrofitted reflector is fitted at a height from the ground exceeding 1.5m (or 2.1m where fitting below 1.5m is not practicable due to the shape of the bodywork of the vehicle).
- 5. A retrofitted pair of reflectors is not:
  - a) symmetrically mounted, or
  - b) mounted as far towards each side of the vehicle as is practicable.

### **Condition**

- 6. A mandatory reflector's ability to reflect light is affected by excessive:
  - a) fading, or
  - b) scratching or other damage.
- 7. A mandatory reflector is obscured.

## Performance

8. The reflected light from a mandatory reflector is not visible from 100m.
9. A rearward-facing reflector on a vehicle reflects white light shining on it as anything other than red light (this does not apply to reflective material such as conspicuity/reflective tape).
10. The reflected light from a reflector is not red.
11. An overlay has been applied that reduces or distorts the light emitted from the lamp (eg a tinted cover).

**Figure 4-13-1. Reflector vs reflective material**



### Note 1 Definitions

**Reflector** means a distinct item of lighting equipment that is designed to reflect incident light back towards the light source, but does not include reflective material (such as reflective tape).

**Reflective material** means any material that is designed to reflect incident light back towards the light source and includes reflective tape, but does not include a reflector.

### Note 2

A vehicle originally manufactured with a rear reflector arrangement that differs from what is required or permitted in this section may retain the original rear reflectors provided they remain fitted in their original position and perform as intended by the vehicle manufacturer.

## Summary of legislation

### Applicable legislation

- [Land Transport Rule: Vehicle Lighting 2004](#).

### Mandatory and permitted equipment

1. A group M or N vehicle must be fitted with at least one pair of rearward-facing reflectors at a height from the ground not exceeding 1.5m, or if this is not practicable due to the shape of the bodywork of the vehicle, not exceeding 2.1m.
2. A class LE vehicle must be fitted with at least one rearward-facing reflector that reflects light that is visible from 100m.

3. A rearward-facing reflector must be positioned to the rear of the vehicle.
4. A reflector must be of an area that allows it to reflect light to improve the visibility of the vehicle to other road users, but it must not cause them undue dazzle or discomfort.
5. A retrofitted pair of reflectors must be symmetrically mounted as far towards each side of the vehicle as is practicable.

#### **Condition**

6. A mandatory reflector must be in good condition and not be obscured.

#### **Performance**

7. A reflector must operate in a way that is appropriate for the reflector and the vehicle.
8. A reflector must reflect white light as substantially red light.
9. A reflector must provide sufficient light reflection to fulfil its intended purpose.

#### **Modifications**

10. A rear reflector that is affected by a modification:
  - a) must meet equipment, condition and performance requirements, and
  - b) does not require LVV specialist certification.

Page amended **2 December 2019** (see [amendment details](#)).

## **4-14 Reversing lamps**

### **Reasons for rejection**

#### **Permitted equipment**

(see Note 2)

1. A vehicle is fitted with more than two reversing lamps at the rear of the vehicle.
2. A retrofitted pair of reversing lamps is not:
  - a) symmetrically mounted, or
  - b) mounted as far towards each side of the vehicle as is practicable.

#### **Condition**

(see Note 2)

3. A lamp is insecure.
4. A lens is missing, or has a hole, crack or other damage that allows moisture or dirt to enter.
5. A reflector is damaged or has deteriorated so that light output is reduced.

#### **Performance**

(see Note 2)

6. A lamp controlled by gear engagement continues to display a light to the rear when the reverse gear is disengaged.
7. A lamp controlled by a manual switch continues to display a light to the rear while the headlamps are switched on.
8. When engaged, a lamp emits light that is not:
  - a) substantially white (Note 3), or
  - b) steady, or
  - c) diffuse or a dipped beam.
9. Where a lamp comprises an array of light sources (eg LEDs), fewer than 75% of these operate.

### **Note 1 Definitions**

**Reversing lamp** means a lamp designed to illuminate the area behind the vehicle while it is reversing and to warn other road users that the vehicle is reversing or about to reverse.

### **Note 2**

A reversing lamp that does not comply with equipment, condition and performance requirements must be made to comply or be disabled so that it does not emit a light.

### **Note 3**

Vehicles first registered in New Zealand before 27 February 2005 were allowed to use rear indicator lamps as reversing lamps. Although the light emitted is amber rather than white, this arrangement is still permitted for these vehicles.

### **Note 4**

A vehicle originally manufactured with a reversing lamp arrangement that differs from what is required or permitted in this section may retain the original reversing lamps provided they remain fitted in their original position and perform as intended by the vehicle manufacturer.

## **Summary of legislation**

### **Applicable legislation**

- [Land Transport Rule: Vehicle Lighting 2004](#).

### **Permitted equipment**

1. One or two reversing lamps fitted at the rear of the vehicle.
2. A retrofitted pair of reversing lamps must be symmetrically mounted as far towards each side of the vehicle as is practicable.

### Condition

3. A reversing lamp must be in good condition.

### Performance

4. A reversing lamp must operate in a way that is appropriate for the lamp and the vehicle.

5. A reversing lamp, when operated, must emit a diffuse light or a dipped beam of light that is substantially white (Note 3).

6. A reversing lamp must emit a steady light.

7. A reversing lamp may operate only when the reverse gear is engaged or the headlamps are turned off.

8. Where a reversing lamp comprises an array of light sources (eg LEDs), at least 75% of these must operate.

### Modifications

9. A reversing lamp that is affected by a modification:

- a) must meet equipment, condition and performance requirements, and
- b) does not require LVV specialist certification.

## 4-15 Other lighting

### Reasons for rejection

#### Permitted equipment

1. A cosmetic lamp (ie one not listed in Table 4-15-1) that is fitted to a vehicle:

- a) has a part of its light-emitting surface positioned within 250mm of any mandatory lamp, or
- b) is not mounted in a fixed position, or
- c) is positioned so that its light-emitting surface is visible within the shaded areas in Figure 4-15-1.

2. A work lamp that is fitted to a vehicle is wired in such a way that the switch or circuit for any mandatory or optional lamp controls it.

#### Performance

3. When switched on, a cosmetic lamp with a light-emitting surface not visible within the shaded areas in Figure 4-15-1 emits a light that:

- a) is not diffuse, or
- b) flashes or otherwise varies in intensity or colour, or
- c) revolves, rotates or otherwise moves, or
- d) is too bright and likely to dazzle other road users, or
- e) is likely to cause confusion about the orientation of the vehicle, or
- f) is red when seen directly from the front, or

g) is not red or amber when seen directly from the rear.

4. A forward-facing reflector on a vehicle reflects white light shining on it as anything other than white or amber light.

5. A side-facing reflector on a vehicle reflects white light shining on it as anything other than white or amber light.

#### **Note 1**

A rear or side cosmetic lamp that does not comply with requirements for condition or performance must be made to comply, or be disabled so that it does not emit a light.

#### **Note 2 Definitions**

**Lamp** means a device designed to emit light, and includes an array of separate light sources that appear as a continuous illuminated surface.

**Work lamp** means a high-intensity lamp that is not necessary for the operation of the vehicle but is designed to illuminate the area or scene and include scene lamps, spot lamps and alley lamps.

**Scene lamp** means a work lamp designed to provide a fixed or movable beam of light to illuminate the area around the vehicle or the vehicle itself.

**Alley lamp** means a work lamp designed primarily to provide a fixed or movable beam of light to the side of the vehicle it is fitted to.

**Reflective material** (or **retroreflective material**) means any material that is designed to reflect incident light back towards a light source or in a specific direction; but does not include a reflector.

**Cosmetic lamp** means any lamp that is not listed in Table 4-15-1.

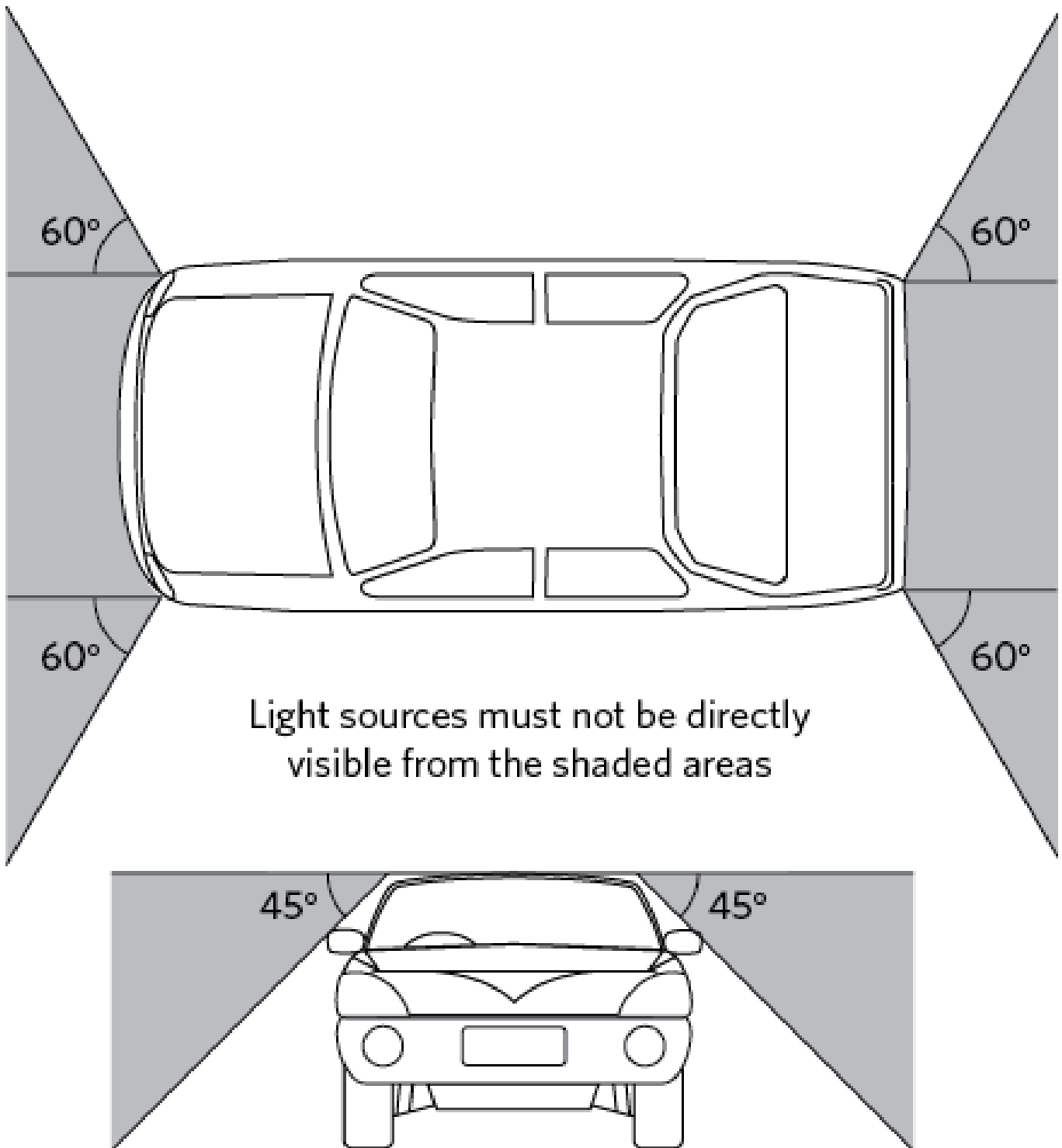
#### **Note 3**

A forward-facing cosmetic lamp that does not comply with the equipment, condition and performance requirements must be made to comply or be removed from the vehicle.

**Table 4-15-1. Lamps that are not cosmetic lamps**

Lamps covered in the VIRM	Other lighting equipment not requiring inspection
Headlamps Stop lamps High-mounted stop lamps Direction indicator lamps Position lamps (includes side-marker lamps and end-outline marker lamps) Rear-registration-plate illumination lamps Rear reflectors Fog lamps Daytime running lamps Cornering lamps Reversing lamps PSV interior lamps Work lamps	Interior lamps <i>Designed to illuminate the interior of the vehicle for the convenience of passengers</i> Flashing or revolving beacons Illuminated vehicle-mounted signs <i>Includes PSV destination signs, taxi signs and variable message signs operated by enforcement officers, under a traffic management plan or permitted by other legislation</i> A light source that is a necessary part of equipment required or permitted by any enactment to be fitted to a vehicle <i>Includes LEDs that indicate status on eRUC labels</i>

Figure 4-15-1. Visibility angles for cosmetic lamps



## Summary of legislation

### Applicable legislation

- [Land Transport Rule: Vehicle Lighting 2004.](#)

## Permitted equipment

1. A vehicle may be fitted with one or more lamps not specified in Table 4-15-1, provided they are fitted so that light sources are not visible in those regions specified in Figure 4-15-1.
2. A **cosmetic** lamp must be fitted in a fixed position on the vehicle and positioned so that no part of the light source is situated within 250mm of a mandatory lamp.
3. A work lamp fitted to a vehicle must be wired in such a way that the switch or circuit for any mandatory lamp does not control it.
4. A vehicle may be fitted with reflective material to improve the visibility of the vehicle to other drivers and other road users, but the material must not dazzle, confuse or otherwise endanger their safety.

## Performance

5. A **cosmetic** lamp must:
  - a) only emit light that is diffuse, and
  - b) not emit light that flashes or otherwise varies in intensity or colour, and
  - c) be fitted in a way, and be of a luminance that ensures, that it does not dazzle, confuse or distract other road users, and
  - d) not emit a light that revolves, rotates or otherwise moves, and
  - e) not cause confusion as to the orientation of the vehicle, and
  - f) not emit a red light that is directly visible from the front of the vehicle, and
  - g) not emit a light other than red or amber if the light is directly visible from the rear of the vehicle.
6. A forward-facing reflector on a vehicle must reflect white light shining on it as white or amber light.
7. A side-facing reflector on a vehicle must reflect white light shining on it as white or amber light.