

**Correct as at 8th June 2026. It may be superseded at any time.**

**Extract taken from:** Light vehicle repair certification > Introduction > Sample certification documents

## 7 Sample certification documents

**Figure 1.** LT307 No repair certification required declaration

**Vehicle Details**

Make  
\_\_\_\_\_

Model  
\_\_\_\_\_

Chassis  
\_\_\_\_\_

VIN  
\_\_\_\_\_

Colour  
\_\_\_\_\_

Odometer reading  
\_\_\_\_\_

**Repair Certifier Statement**

I have inspected, in accordance with my appointment as Inspector under *Land Transport Rule: Vehicle Standards Compliance 2002*, the vehicle described in this report.

The vehicle has been inspected by me and I confirm that no *Light Vehicle Repair Record of Certification (LT308)* is required for this vehicle. The damage to the vehicle is cosmetic and I am satisfied that the vehicle can be Entry certified without repair to the vehicle structure.

Repair certifier name and phone number  
\_\_\_\_\_

Repair Certifier's ID  
\_\_\_\_\_

Signature  
\_\_\_\_\_

Date  
\_\_\_\_\_

**Vehicle Condition Statement**

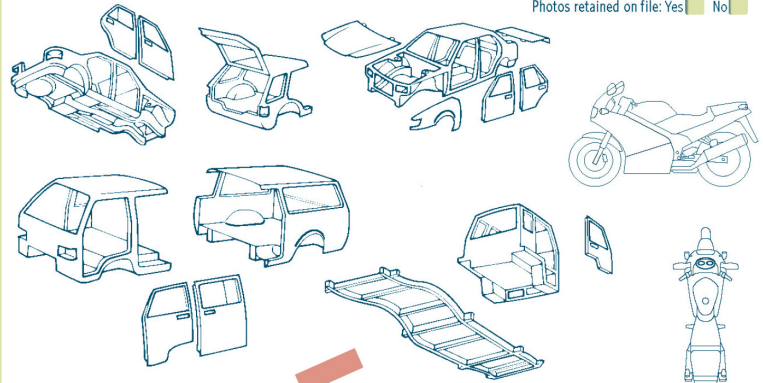
State clearly why the vehicle does not require repair certification. You must clearly reference and use similar wording to the *VRM: Light vehicle repair certification – Technical bulletin 4: Threshold for requiring repair certification*.

\_\_\_\_\_  
\_\_\_\_\_  
\_\_\_\_\_  
\_\_\_\_\_  
\_\_\_\_\_

**Please indicate previous repair, corrosion or damage**

For audit purposes, please indicate the area(s) where you have carried out assessment if not the entire vehicle.

Photos retained on file: Yes  No



**Vehicle Details**

Make  
\_\_\_\_\_

Model  
\_\_\_\_\_

Chassis  
\_\_\_\_\_

VIN  
\_\_\_\_\_

Colour  
\_\_\_\_\_

Odometer reading  
\_\_\_\_\_

**Repair Certifier Statement**

I have inspected, in accordance with my appointment as Inspector under *Land Transport Rule: Vehicle Standards Compliance 2002*, the vehicle described in this report.

The vehicle has been inspected by me and I confirm that no *Light Vehicle Repair Record of Certification (LT308)* is required for this vehicle. The damage to the vehicle is cosmetic and I am satisfied that the vehicle can be Entry certified without repair to the vehicle structure.

Repair certifier name and phone number  
\_\_\_\_\_

Repair Certifier's ID  
\_\_\_\_\_

Signature  
\_\_\_\_\_

Date  
\_\_\_\_\_

**Vehicle Condition Statement**

State clearly why the vehicle does not require repair certification. You must clearly reference and use similar wording to the *VRM: Light vehicle repair certification – Technical bulletin 4: Threshold for requiring repair certification*.

\_\_\_\_\_  
\_\_\_\_\_  
\_\_\_\_\_  
\_\_\_\_\_  
\_\_\_\_\_

**Please indicate previous repair, corrosion or damage**

For audit purposes, please indicate the area(s) where you have carried out assessment if not the entire vehicle.

Photos retained on file: Yes  No

